

Gage 8/15/20 Wall

7000WGAG_ 1.1



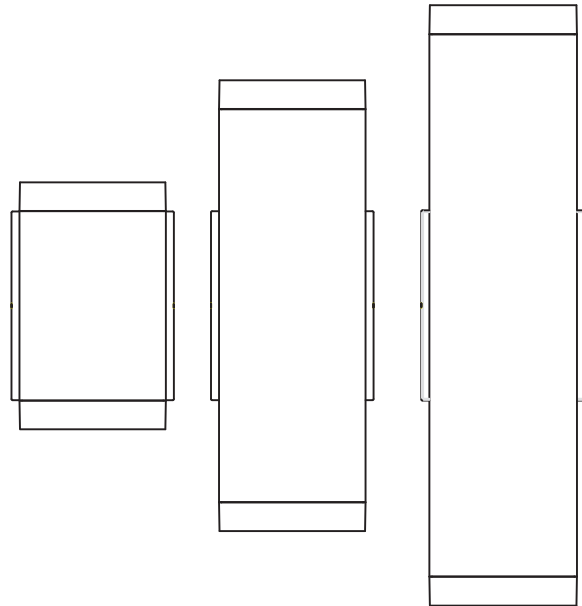
GENERAL PRODUCT INFORMATION:



These fixtures are intended to be installed utilizing NEC compliant junction boxes.

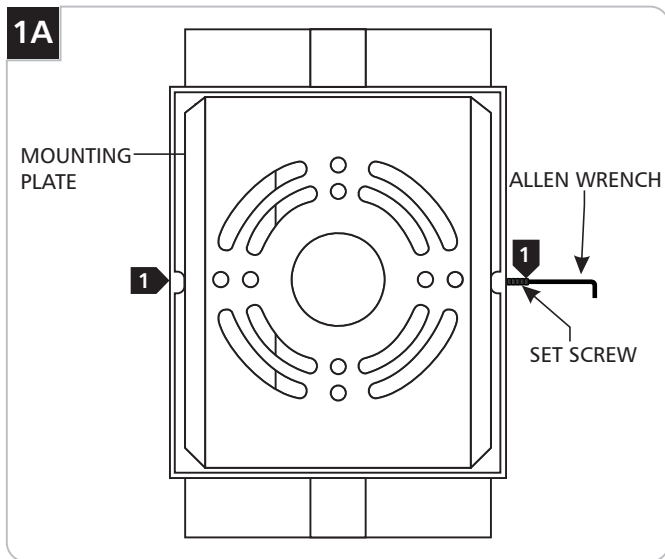
This product may be dimmed with a low-voltage electronic dimmer or a 0-10V dimmer depending on the wiring configuration.

Suitable for wet locations.



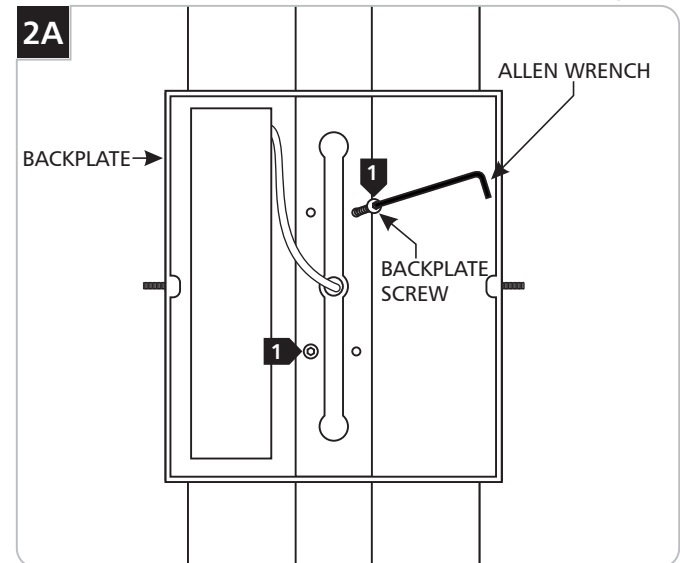
CAUTION - RISK OF FIRE
 This product must be installed in accordance with the applicable installation code by a person familiar with the construction and operation of the product and the hazards involved.
 Use minimum 90°C supply conductors.

Prepare the Fixture

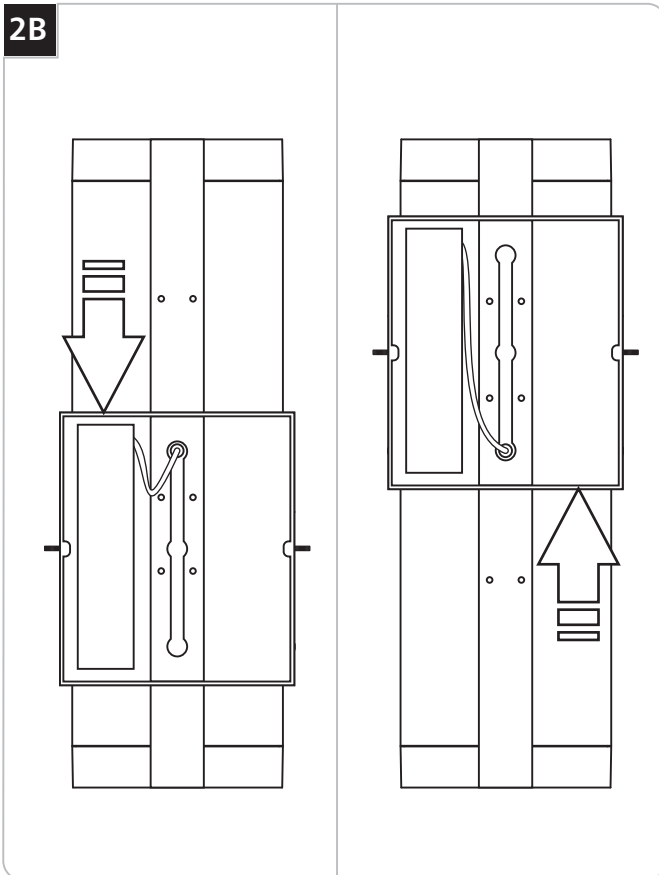


- 1** With the provided Allen wrench, back out (do not fully remove) the set screws on both sides of the fixture.
- 2** Remove the mounting plate from the back of the fixture.

Adjust the Position of the Backplate (optional for 15 & 20 versions only)

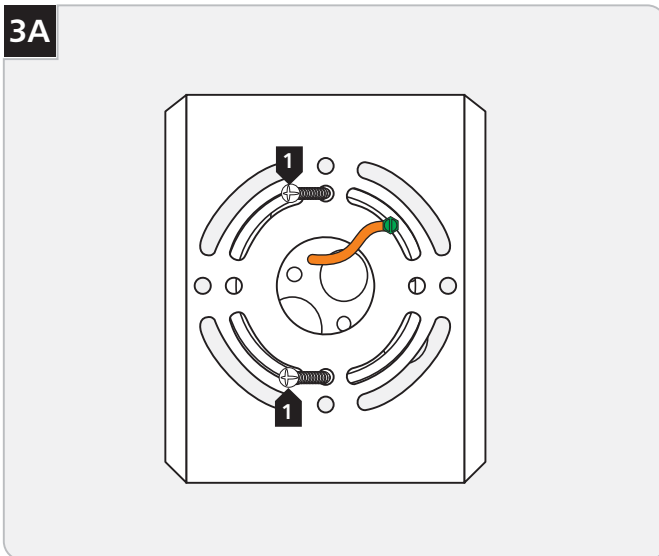


- 1** While holding the backplate in place, remove the backplate screws with the provided Allen wrench.

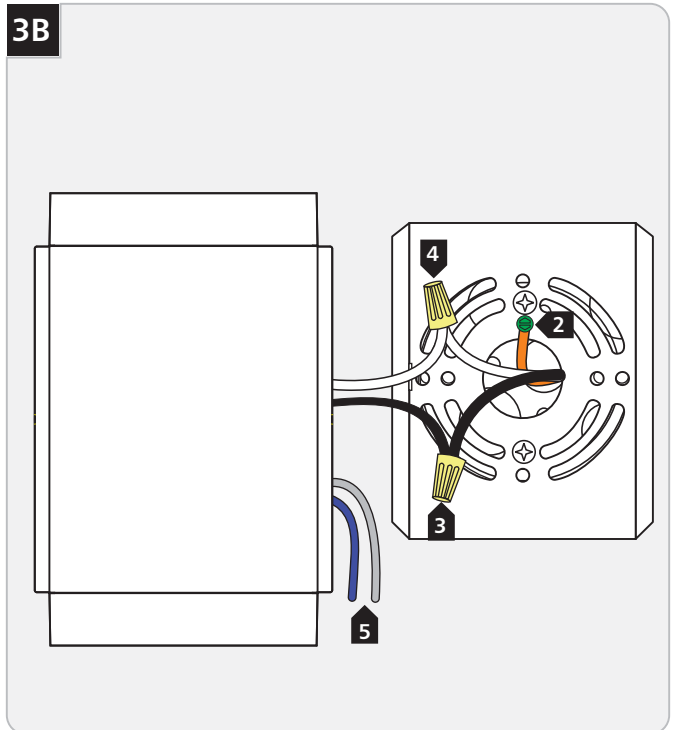
2B

- 2 Slide the backplate either up or down until the backplate screw holes are aligned.
- 3 Make sure that the gasket behind the backplate is in place and reinstall the mounting plate screws tightly in place.

Install the Fixture

3A

- 1 Attach the mounting plate to the electrical box using the two provided #8-32 screws.

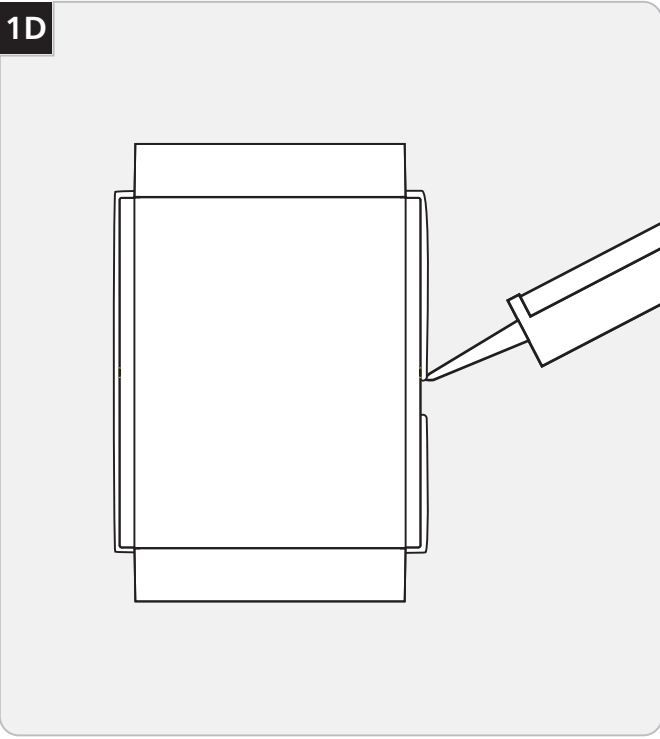
3B

- 2 Connect the mounting plate ground wire to a suitable ground in accordance with local electrical codes.
- 3 Connect the black fixture wire to the hot power line wire with a wire nut.
- 4 Connect the white fixture wire to the neutral power line wire with a wire nut.
- 5 Use the gray and purple dimming wires for 0-10v dimming application (if not in use, make sure to cap these wires off).
- 6 Properly place all wires and wire nut connections into the electrical box.
- 7 Mount the fixture by installing it back onto the mounting plate and reinstalling the fixture screws (reversal of figure 1A).

Warning: The purple and gray wires are only used for 0-10v dimming. For all other applications, do not connect the gray and purple wires.

Note for In-Line Fuse equipped fixtures: in the case that the fixture is not operating correctly, make sure to check the fuse.

1D



10 For wet locations, caulk around the base with waterproof construction sealant.

SAVE THESE INSTRUCTIONS!



TECH LIGHTING®

7400 Linder Ave, Skokie, IL 60077

847.410.4400

www.techlighting.com

© 2017 Tech Lighting, L.L.C. All rights reserved. The "Tech Lighting" graphic is a registered trademark of Tech Lighting, L.L.C. Tech Lighting reserves the right to change specifications for product improvements without notification.

A Generation Brands Company