

# Pass-Through Surface Electronic Transformer

1.2

## GENERATION BRANDS

### GENERAL PRODUCT INFORMATION:



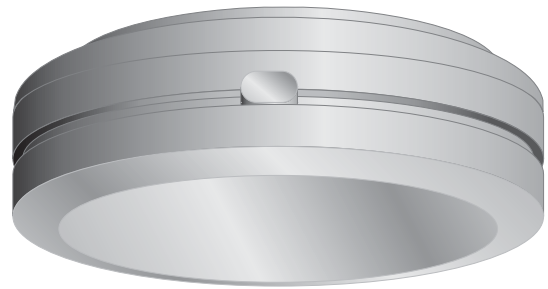
This product is ETL listed and suitable only for indoor dry locations and approved for use at any height above the finished floor.

A typical installation is shown. Specific installation must be in accordance with local electrical codes.

This product may be dimmed only with a low voltage electronic dimmer. Using a dimmer not designed for low voltage electronic applications may work initially, but could eventually cause transformer failure and will void the warranty. The dimmer must be derated as indicated by the dimmer manufacturer.

This product is intended for use with Tech and LBL Lighting low-voltage lighting systems only.

Read all instructions thoroughly. Read "Important Safety Information" below before proceeding with the installation.



#### CAUTION - RISK OF FIRE

This product must be installed in accordance with the applicable installation code by a person familiar with the construction and operation of the product and the hazards involved.

Use minimum 90°C supply conductors.

#### SAVE THESE INSTRUCTIONS!

## Important Safety Information

To reduce the risk of fire and burns, do not install this lighting system where the uninsulated open bus bar conductors can be shorted or contact any conductive materials.

To reduce the risk of the system overheating and possibly causing a fire, make sure all the connections are tight.

Do not install fixture assemblies closer than six inches to curtains or similarly combustible materials.

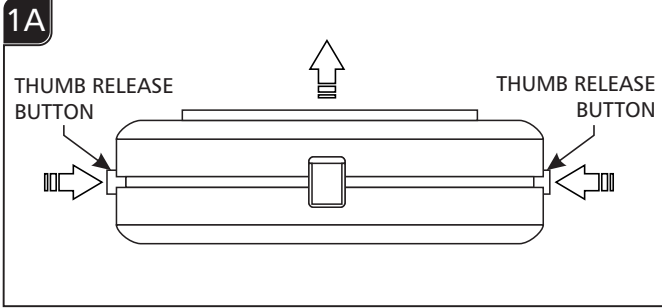
Turn the electrical power off before modifying the lighting system in any way.

The fixtures used with the system must be identified for used with the corresponding system.

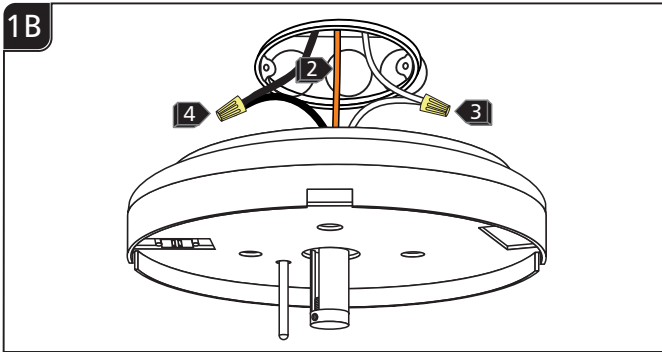
Load the circuit of the remote transformers to no more than the maximum rated capacity as specified.

To reset the electronic surface transformer, turn the power off then on (main power, breaker panel, or wall switch).

# Install the Transformer



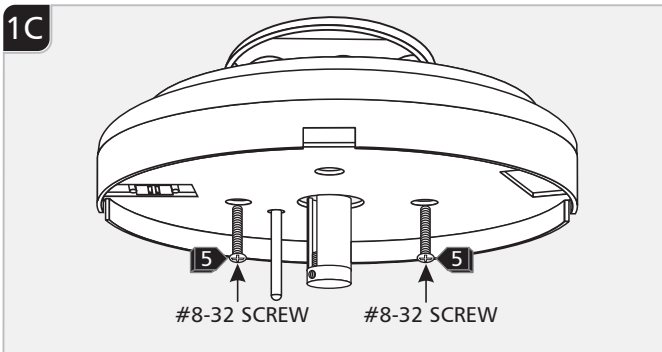
**1** Press the thumb release buttons to separate the transformer housing.



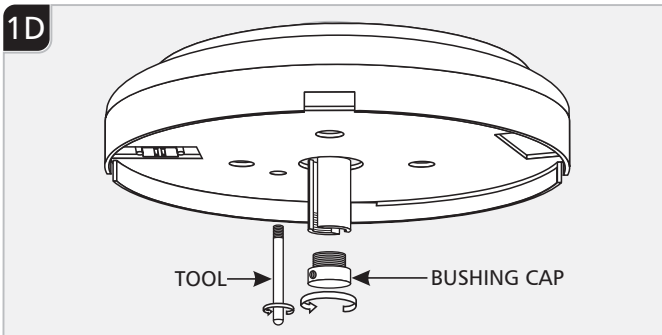
**2** Connect the mounting plate ground wire to a suitable ground in accordance with local electrical codes.

**3** Connect the white transformer wire to the neutral power line wire with a wire nut.

**4** Connect the black transformer wire to the hot power line wire with a wire nut.

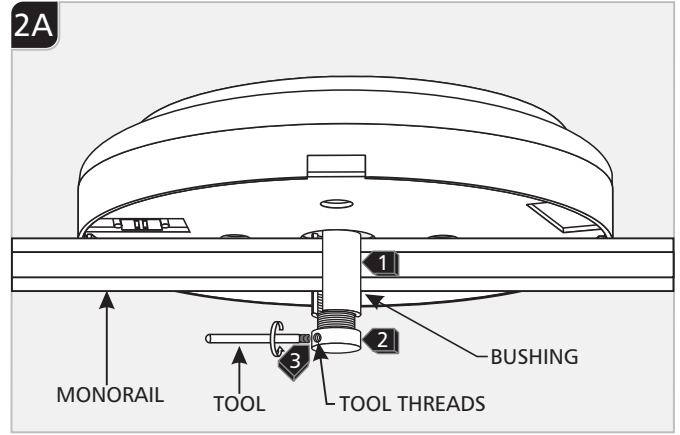


**5** Place all wires and wire nut connections inside the electrical box and mount the transformer to the electrical box with provided #8-32 screws.



**6** Unscrew and remove the bushing cap and the tightening tool.

# Connect the Transformer to the MonoRail

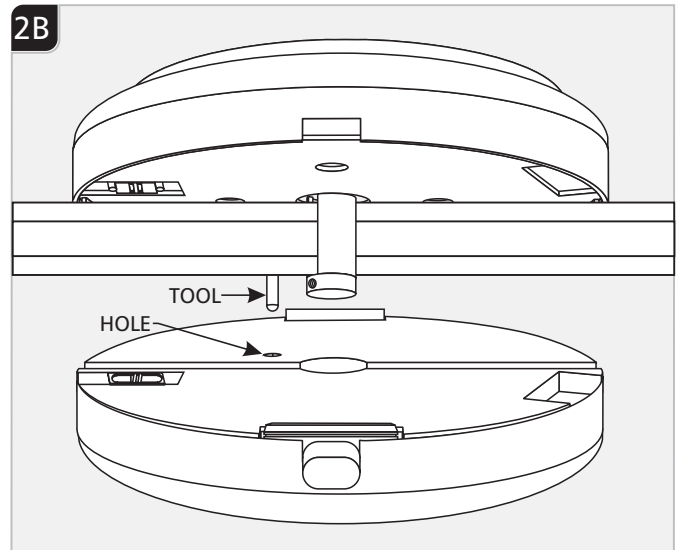


**1** Place the MonoRail into the bushing.

**2** Replace the bushing cap.

**3** Screw the tool into the bushing cap.

**4** Secure the MonoRail by using the tool to tighten the bushing cap.



**NOTE:** The tightening tool must be screwed in properly and completely in order for the bottom half of the transformer to snap in correctly.

**5** Replace the tightening tool by screwing it back in completely.

**6** Reassemble the transformer by first aligning the tool and the hole, then push up until it properly snaps back into place.

## GENERATION BRANDS

7400 Linder Ave, Skokie, IL 60077

800.323.3226 - 847.626.6300

[www.generation-brands.com](http://www.generation-brands.com)

© 2017 Generation Brands. All rights reserved. The "Generation Brands" graphic is a registered trademark of Generation Brands. Generation Brands reserves the right to change specifications for product improvements without notification.

A Generation Brands Company