

Vandor Linear Suspension

700LSVAN_ 1.0



SUSPENSION

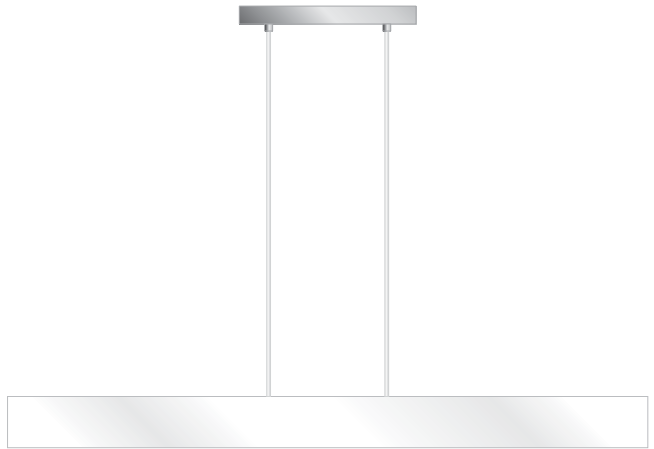
GENERAL PRODUCT INFORMATION: 

This fixture is intended to be installed utilizing NEC compliant junction boxes.

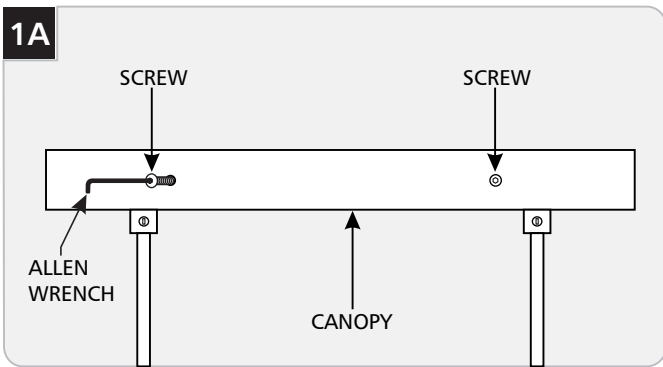
This product is suitable for damp locations.

This product may be dimmed with a low-voltage electronic dimmer.

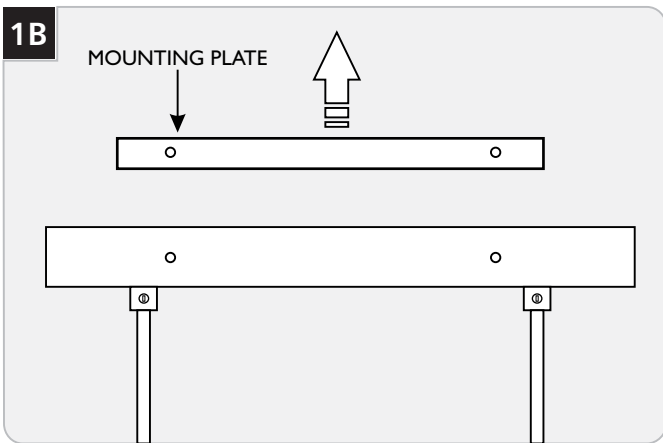
CAUTION - RISK OF FIRE
 This product must be installed in accordance with the applicable installation code by a person familiar with the construction and operation of the product and the hazards involved
 Use minimum 90°C supply conductors.



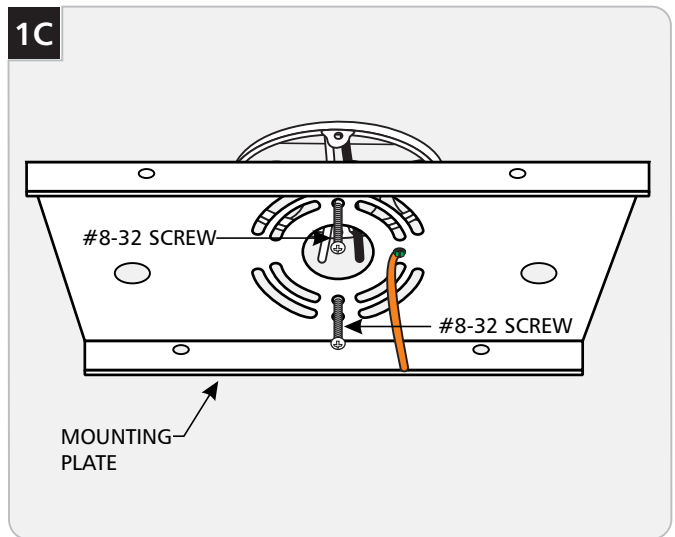
Install the Mounting Plate



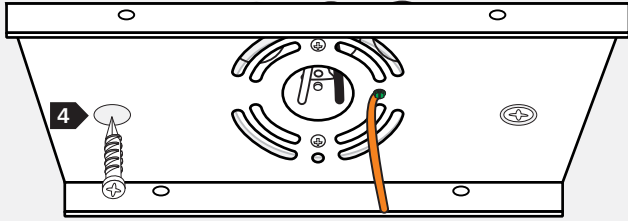
1 Remove the four screws from the canopy using the provided Allen wrench.



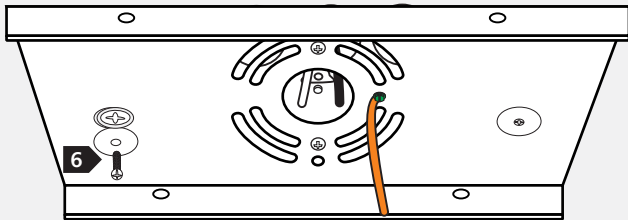
2 Separate the mounting plate from the canopy.



3 Secure the mounting plate to the electrical box with the two #8-32 screws provided.

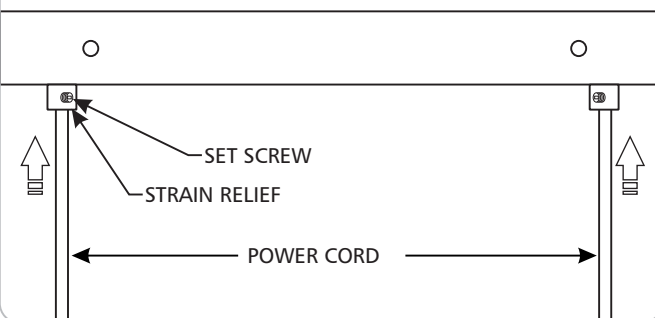
1D

- 4** Line up an anchor with the center of a backplate hole and push the anchor in up to the threads.
- 5** Screw the anchor the rest of the way in with a screwdriver.

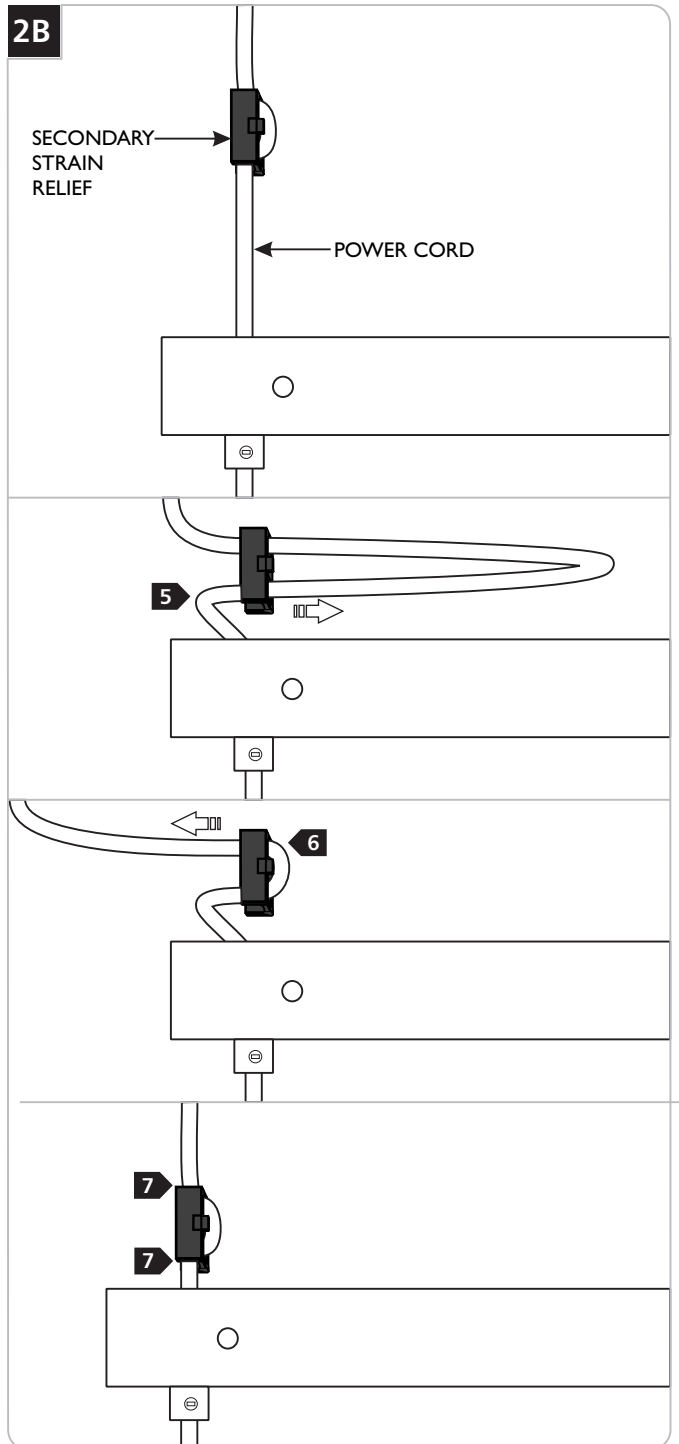
1E

- 6** Secure the backplate to the anchor with a screw and washer.
- 7** Repeat steps 4-6 for the remaining anchor hole.

Shorten the Fixture (optional)

2A

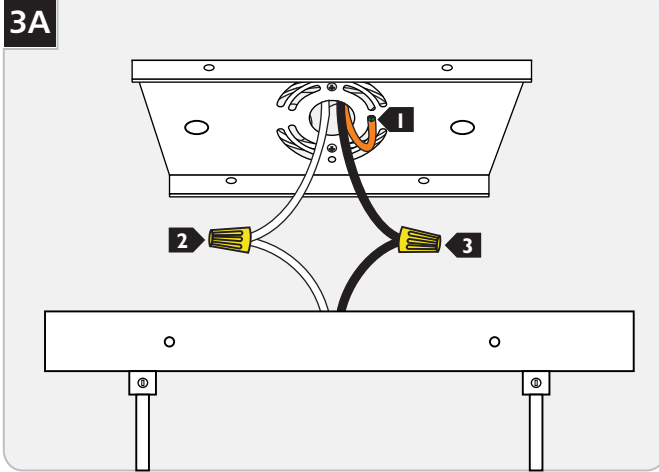
- 1** Place the fixture on a level surface.
- 2** Loosen (do not remove) the set screws on the strain reliefs.
- 3** Evenly pull the power cords up through the strain reliefs to raise the fixture to the desired height.
- 4** Ensure that the canopy is level and re-tighten the set screws on the strain reliefs.

2B

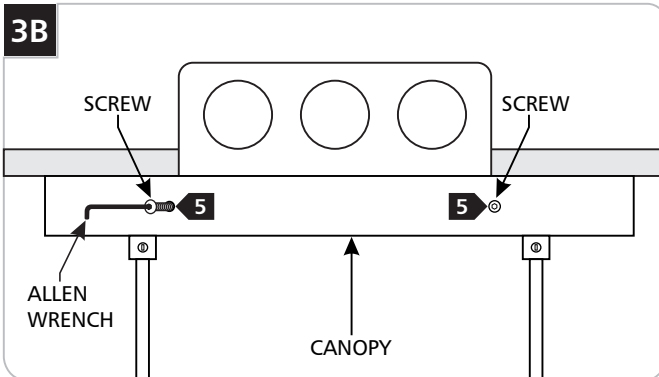
- 5** Move the secondary strain relief down closer to the canopy by first pushing the cord through the end on the canopy side until it is close to the canopy.
- 6** Pull the cord through on the other end to take up the slack
- 7** Insert the cord into the ends of the strain relief openings.
- 8** Repeat steps 5 - 7 for the other side.

Install the Fixture to the Canopy

NOTE: It is recommended that one person hold the fixture while the electrician connects the power and installs the canopy.



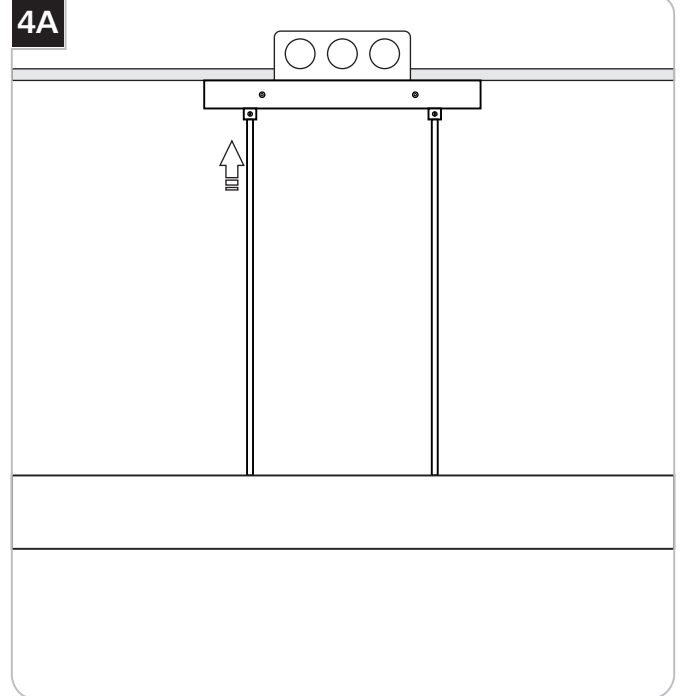
- 1 Connect the fixture to a suitable ground in accordance with local electrical codes.
- 2 Connect the white driver wire to the neutral power line wire with a wire nut.
- 3 Connect the black driver wire to the hot power line wire with a wire nut.



- 4 Place the remaining power cord, all wires, and wire nut connections inside the canopy.
- 5 Align the canopy holes with the holes in the mounting plate and secure the canopy in place by reinstalling the four screws and tightening them with the provided Allen wrench.

Fine Leveling (Optional)

NOTE: It is recommended that one person hold the fixture while the electrician connects the power and installs the canopy.



- 1 If necessary, adjust one of the power cables until the fixture is level by first supporting the fixture, loosening one of the set screws, and feed the cable into the strain relief to raise the fixture until leveled.
- 2 Re-tighten the set screw.

SAVE THESE INSTRUCTIONS!



TECH LIGHTING®

7400 Linder Ave, Skokie, IL 60077

847.410.4400

www.techlighting.com

© 2015 Tech Lighting, L.L.C. All rights reserved. The "Tech Lighting" graphic is a registered trademark of Tech Lighting, L.L.C. Tech Lighting reserves the right to change specifications for product improvements without notification.

A Generation Brands Company