

Line Wave 2 Linear

700LSLVN_

1.2



GENERAL PRODUCT INFORMATION:

These fixtures are intended to be installed utilizing NEC compliant junction boxes.



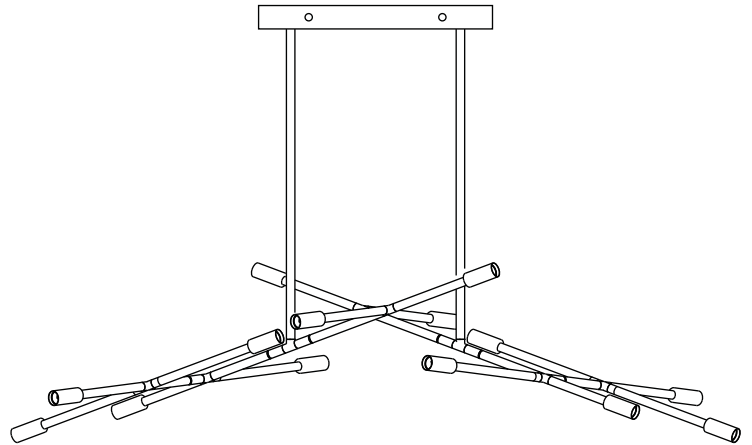
This product is suitable for damp locations.

Incandescent version may be dimmed with a standard incandescent dimmer. LED version may be dimmed with a LED dimmer. Consult lamp manufacturer for additional information.

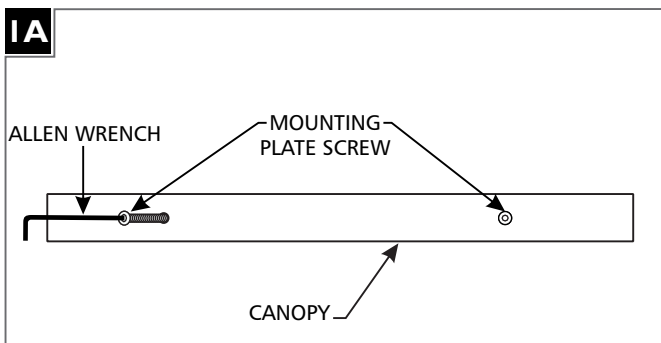
CAUTION - RISK OF FIRE

This product must be installed in accordance with the applicable installation code by a person familiar with the construction and operation of the product and the hazards involved.

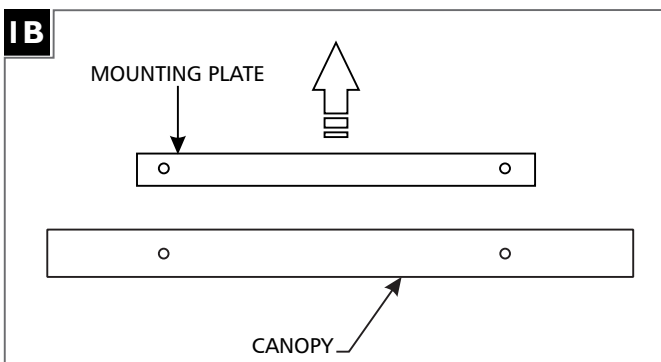
Use minimum 90°C supply conductors.



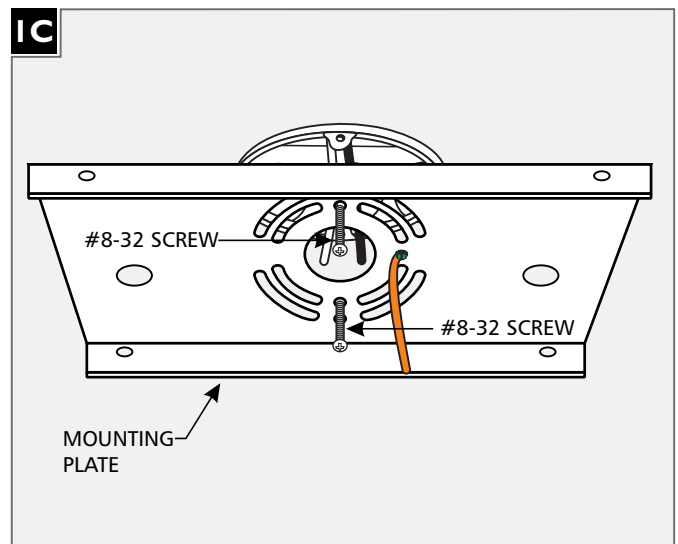
Install the Mounting Plate



- 1 Separate the mounting plate from the canopy by unscrewing the four mounting plate screws on the canopy using the provided Allen wrench.

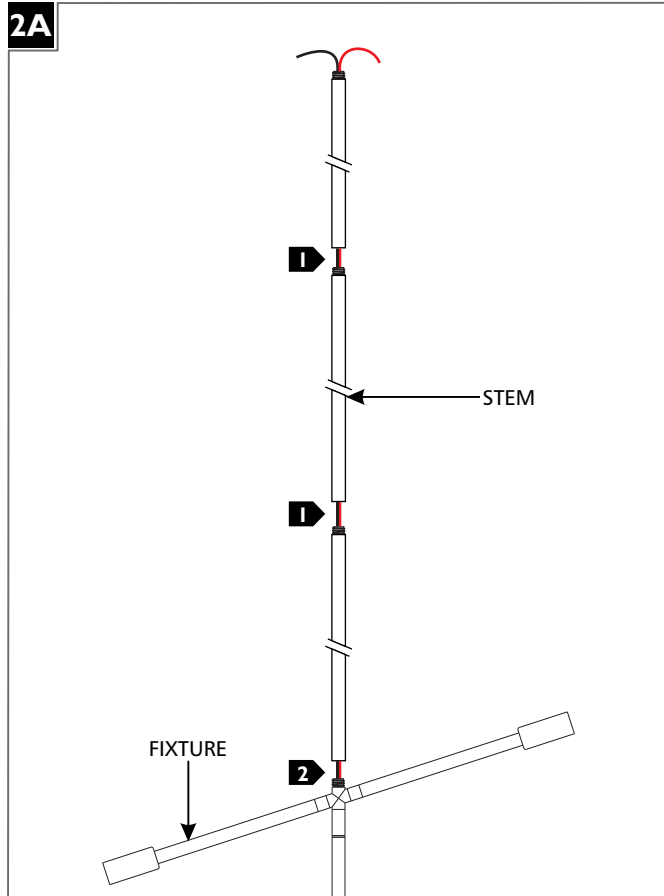


- 2 Remove the mounting plate from the canopy.

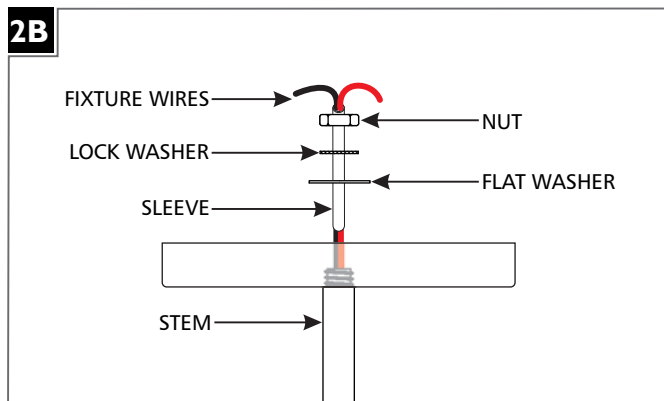


- 3 Secure the mounting plate to the electrical box with the two #8-32 screws provided.

Assemble the Fixture

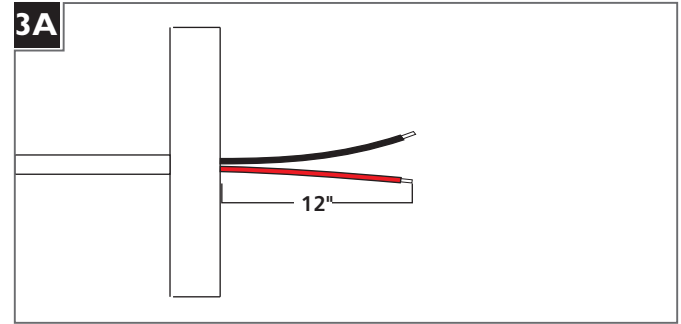


- 1** Determine desired length of fixture using the provided stems and assemble them by screwing them together.
- 2** Feed the fixture wires through the stem assemblies and screw them to the fixture.

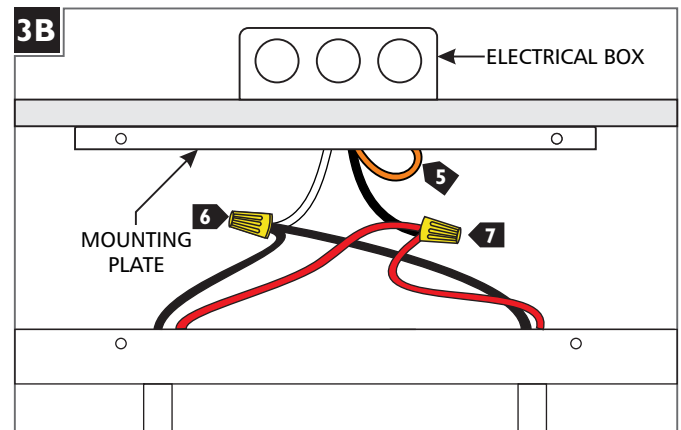


- 3** Feed the fixture wires through the canopy and place the canopy onto the stem assemblies.
- 4** Secure the canopy to the stems by installing the flat washers, lock washers, and nuts (in that order) onto the stems, then secure them in place by screwing the nuts onto the stems. Slide the sleeves over the wires and into the stems.

Install the Fixture



- 1** Leave 12" of the cord behind the canopy for power connections. Cut the excess cord.
- 2** Strip the end of the wires.



- 3** Connect the ground wire to a suitable ground in accordance with local electrical codes.
- 4** Connect the black wires to the neutral power wire with a wire nut.
- 5** Connect the red wires to the hot power wire with a wire nut.
- 6** Neatly place all wires and wire nut connections in the canopy and reinstall the canopy to the mounting plate (reversal of step 1A).

SAVE THESE INSTRUCTIONS!



TECH LIGHTING®

7400 Linder Ave, Skokie, IL 60077

847.410.4400

www.techlighting.com

© 2018 Tech Lighting, L.L.C. All rights reserved. The "Tech Lighting" graphic is a registered trademark of Tech Lighting, L.L.C. Tech Lighting reserves the right to change specifications for product improvements without notification.

A Generation Brands Company