

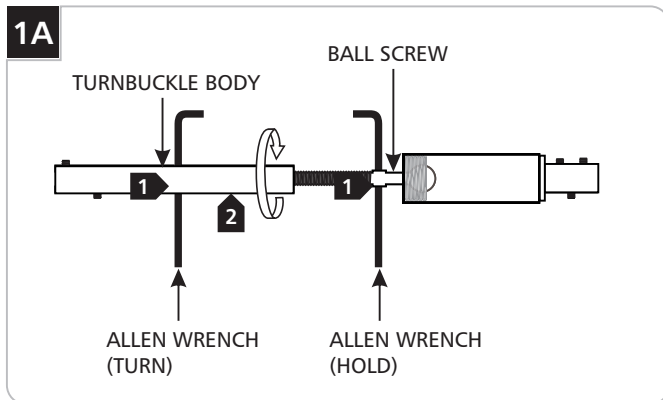
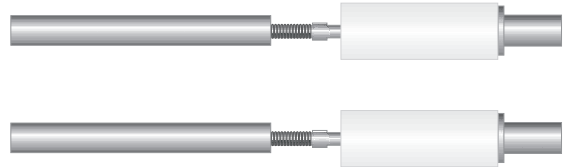


**GENERAL PRODUCT INFORMATION:**

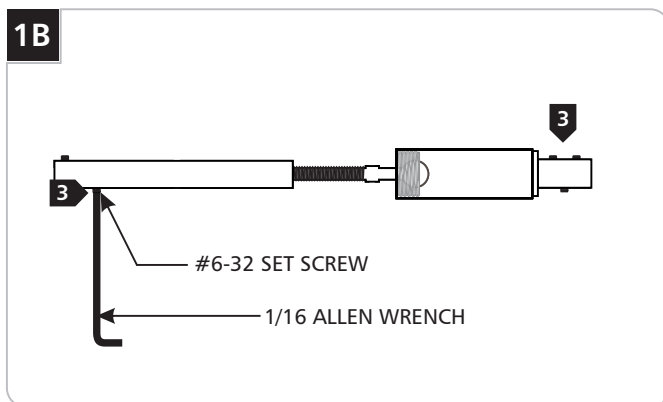


This product is suitable for indoor dry locations only.

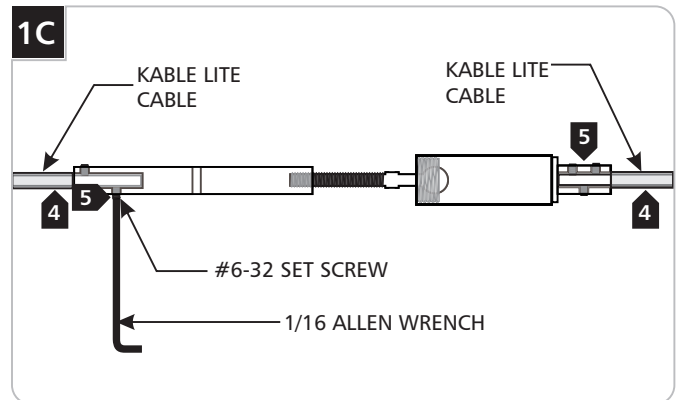
This product is intended to be used with Tech Lighting Kable Lite system only.



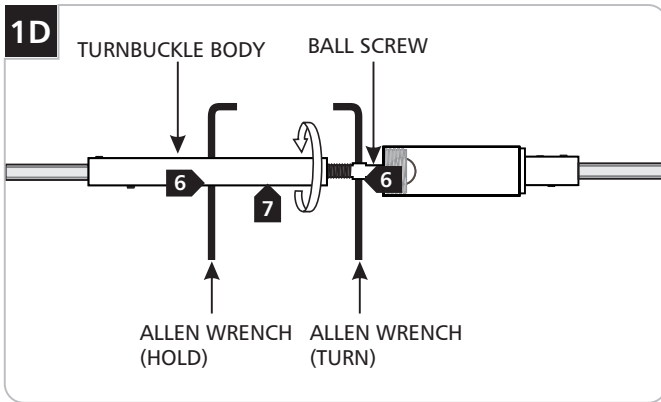
- 1** Insert one Allen wrench into inline turnbuckle body hole and another one into the ball screw hole.
- 2** Hold the ball screw Allen wrench while turning the inline turnbuckle body Allen wrench clockwise until the ball screw is in full extension.



- 3** Loosen (Do Not Remove) all five #6-32 set screws with the 1/16 Allen wrench to clear the holes.



- 4** Feed the Kable Lite cables coming from the turnbuckles (refer to the corresponding turnbuckle instructions) completely into the inline turnbuckles and posts holes.
- 5** Tighten the five #6-32 set screws with the 1/16 Allen wrench. Make sure all set screw connections are tight.



- 6** Insert one Allen wrench into inline turnbuckle body hole and another one into the ball screw hole.
- 7** Hold the inline turnbuckle body Allen wrench while turning the ball screw Allen wrench clockwise until the Kable Lite cables are taut.

**SAVE THESE INSTRUCTIONS!**

 **TECH LIGHTING®**  
 7400 Linder Ave, Skokie, IL 60077  
 847.410.4400  
[www.techlighting.com](http://www.techlighting.com)

© 2008 Tech Lighting, L.L.C. All rights reserved. The "Tech Lighting" graphic is a registered trademark of Tech Lighting, L.L.C. Tech Lighting reserves the right to change specifications for product improvements without notification.  
 A Generation Brands Company