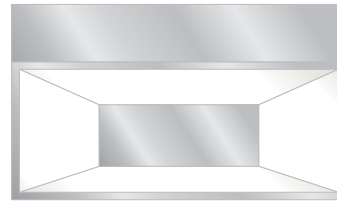


Wynter Square Medium and Small (LED)

700FMWNTS_-LED_ 1.0



GENERAL PRODUCT INFORMATION:



These fixtures are intended to be installed utilizing NEC compliant junction boxes.

This product is suitable for damp or wet locations.

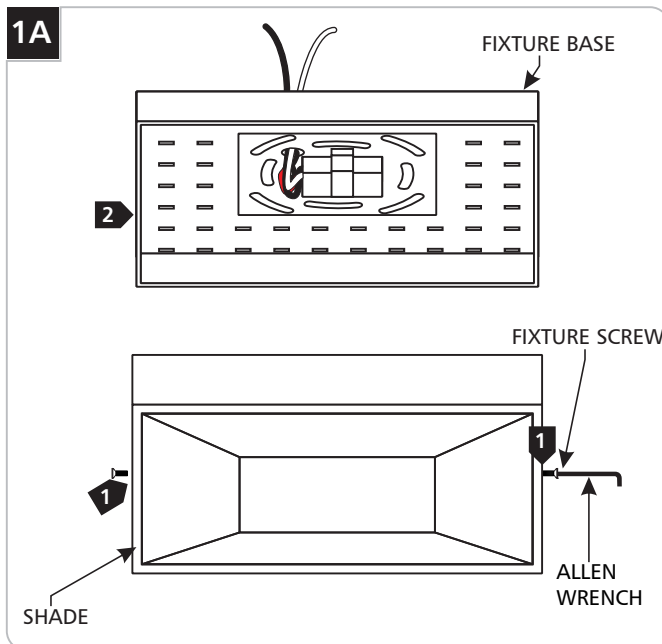
This product can be dimmed with a low-voltage electronic dimmer.

This product may be ceiling or wall mounted.

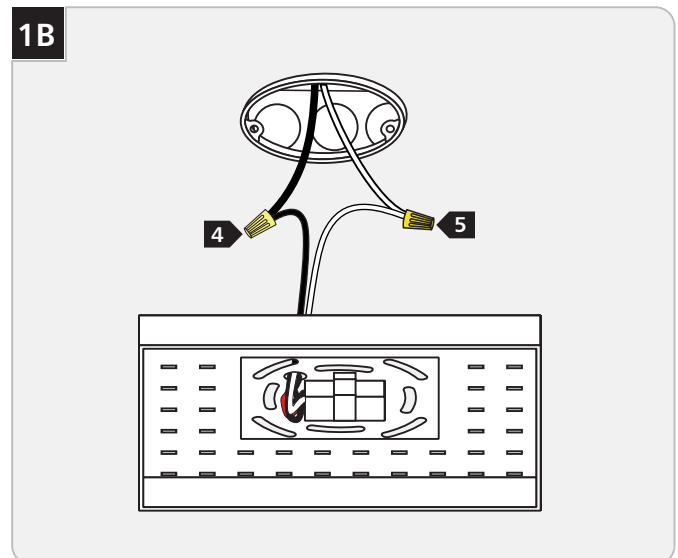
This instruction shows a typical installation.

CAUTION - RISK OF FIRE
 This product must be installed in accordance with the applicable installation code by a person familiar with the construction and operation of the product and the hazards involved.
 Use minimum 90°C supply conductors.

Install the Fixture

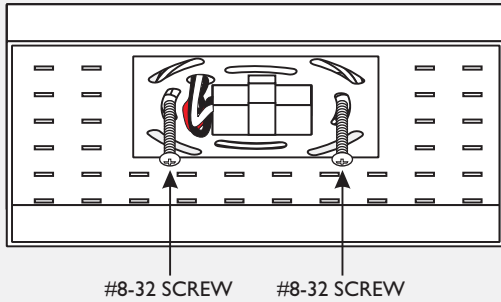


- 1 With the provided Allen wrench, remove the two fixture screws.
- 2 Remove the shade from the fixture base.



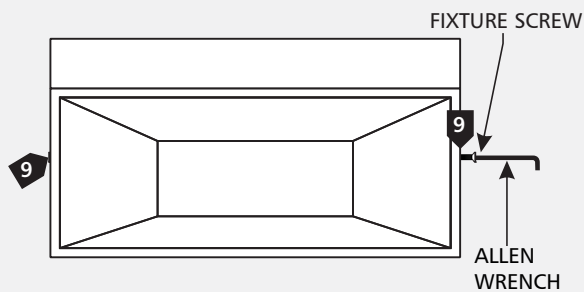
- 3 Connect the fixture to a suitable ground in accordance with local electrical codes.
- 4 Connect the black driver wire to the hot power line wire with a wire nut.
- 5 Connect the white driver wire to the neutral power line wire with a wire nut.

1C



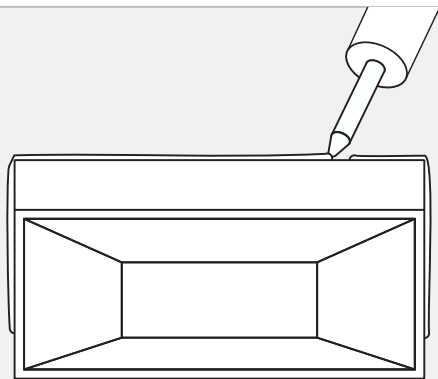
- 6 Properly place the wires and wire connections into the electrical box.
- 7 Secure the fixture base to the electrical box with 2 #8-32 screws.

1D



- 8 Align the screw holes on the shade to the holes in the fixture base and re-install the shade to the fixture base.
- 9 Secure the shade to the fixture base with the two fixture screws using the provided Allen wrench.

1E



- 10 For wet location installation, caulk around the mounting base with waterproof construction sealant.

SAVE THESE INSTRUCTIONS!



TECH LIGHTING®

7400 Linder Ave, Skokie, IL 60077
847.410.4400

www.techlighting.com

© 2015 Tech Lighting, L.L.C. All rights reserved. The "Tech Lighting" graphic is a registered trademark of Tech Lighting, L.L.C. Tech Lighting reserves the right to change specifications for product improvements without notification.

A Generation Brands Company