



GENERAL PRODUCT INFORMATION:

These fixtures are intended to be installed utilizing NEC compliant junction boxes.

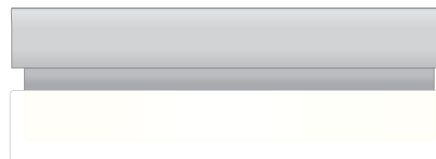


This product is suitable for damp or wet locations.

This product can be dimmed with a low-voltage electronic dimmer.

This product may be ceiling or wall mounted.

This instruction shows a typical installation.

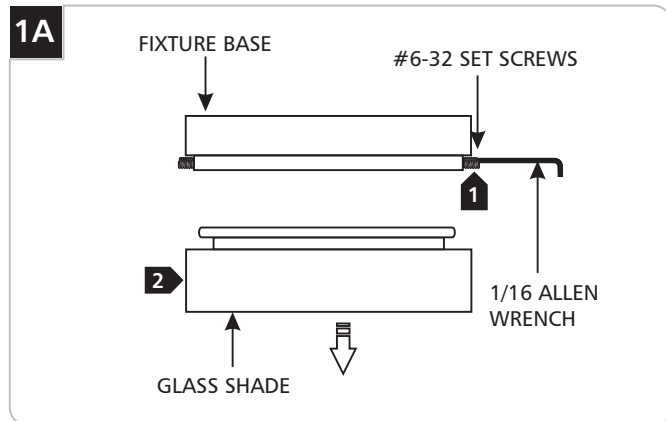


CAUTION - RISK OF FIRE

This product must be installed in accordance with the applicable installation code by a person familiar with the construction and operation of the product and the hazards involved.

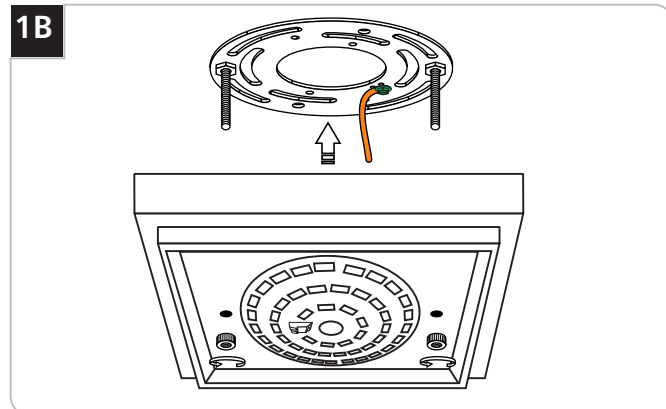
Use minimum 90°C supply conductors.

Install the Fixture Base

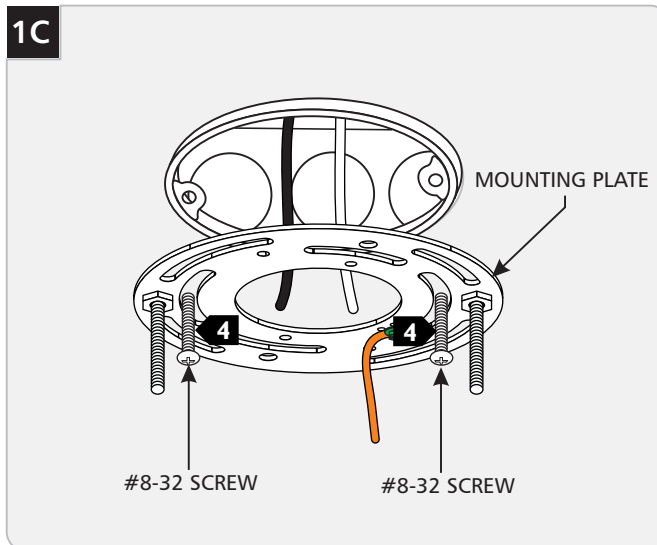


1 While supporting the glass shade, loosen (**Do Not Remove**) the four #6-32 set screws on fixture base with the 1/16 Allen wrench.

2 Carefully remove the glass out of the fixture base.

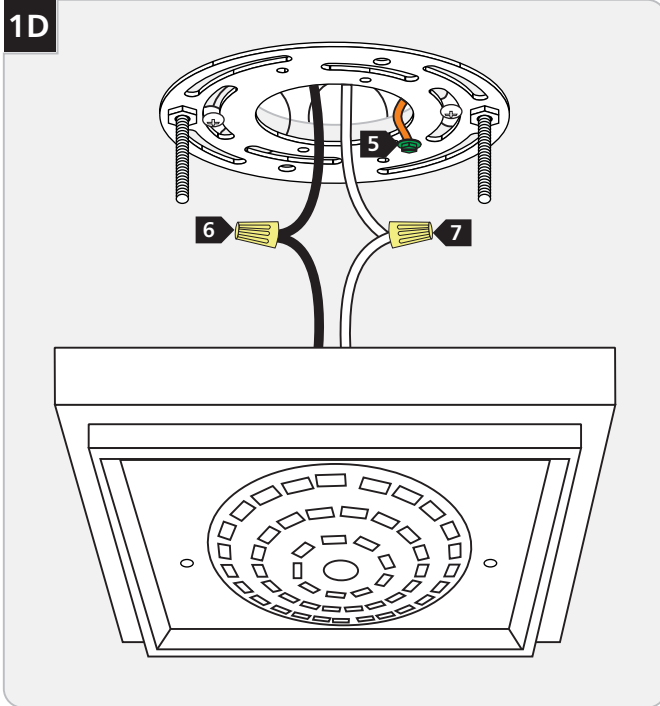


3 Remove the mounting plate from the fixture base by unscrewing the two knurled nuts.

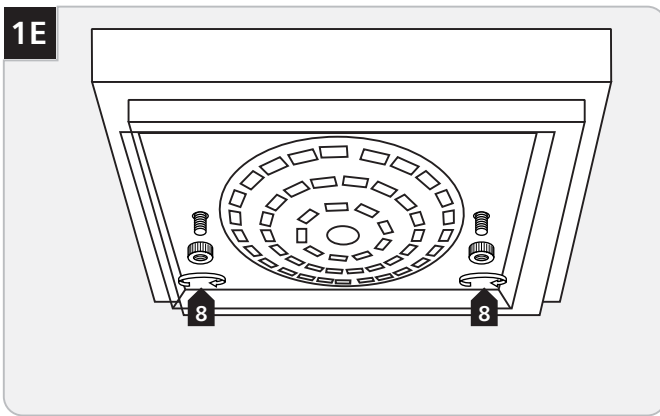


4 Secure the mounting plate to the electrical box with 2 #8-32 screws.

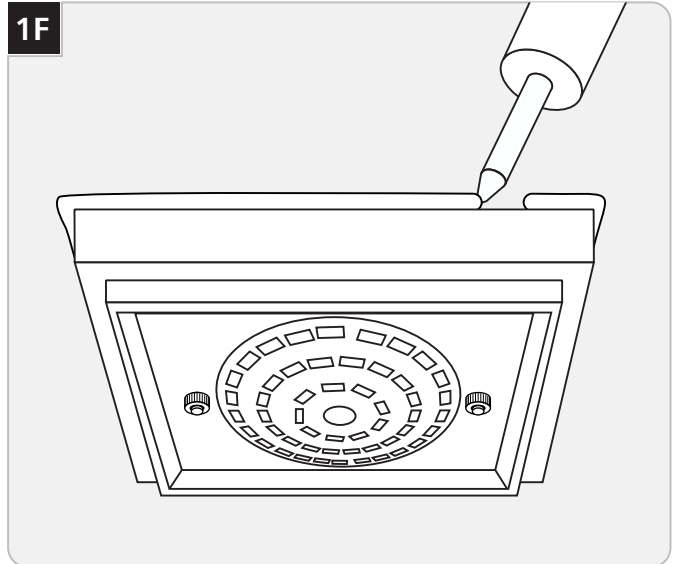
NOTE: Install the mounting plate so that the studs are parallel or perpendicular to the walls, this will ensure that the fixture is oriented to the room.



- 5 Ground the mounting plate in accordance with local electrical codes.
- 6 Connect the black fixture wire to the hot power line wire with a wire nut.
- 7 Connect the white fixture wire to the neutral power line wire with a wire nut.

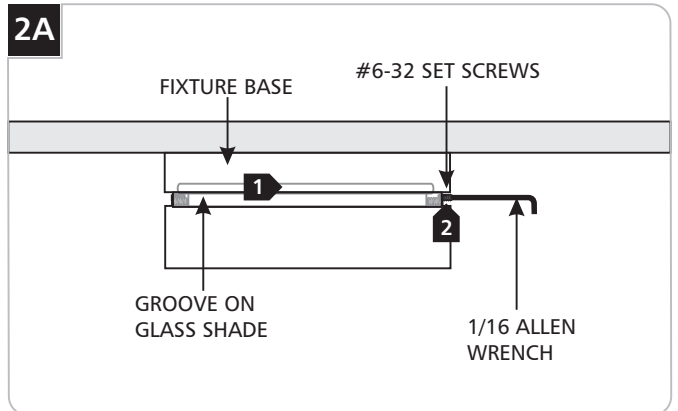


- 8 Properly place all wires and wire nut connections into the electrical box, mount the fixture base to the ceiling by reinstalling it onto the mounting plate, and secure it tightly with the knurled nuts.



- 9 For wet location installation, caulk around the fixture base with waterproof construction sealant.

Install the Shade



- 1 Place the glass shade into the fixture base until the grooved section of the glass shade is completely inside.
- 2 Hold the glass shade in place and tighten all four #6-32 set screws with the 1/16 Allen wrench to lock the glass shade in place.

SAVE THESE INSTRUCTIONS!



TECH LIGHTING®

7400 Linder Ave, Skokie, IL 60077
847.410.4400

www.techlighting.com

© 2016 Tech Lighting, L.L.C. All rights reserved. The "Tech Lighting" graphic is a registered trademark of Tech Lighting, L.L.C. Tech Lighting reserves the right to change specifications for product improvements without notification.

A Generation Brands Company