

# Connector Ports

700DJFCPC

1.6

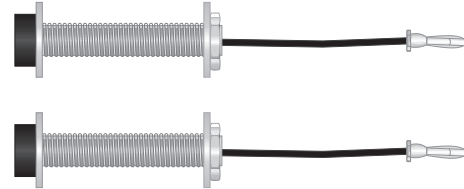


## DISPLAY JACK

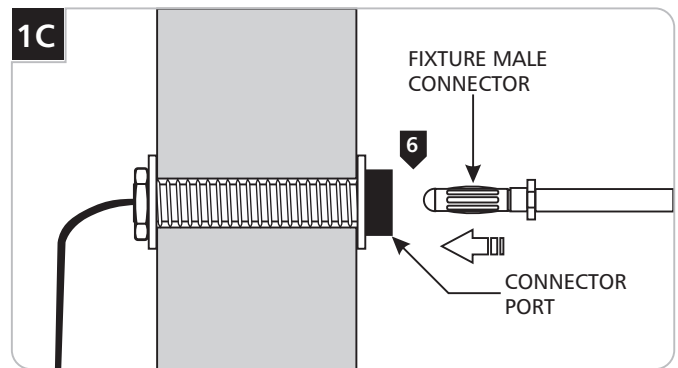
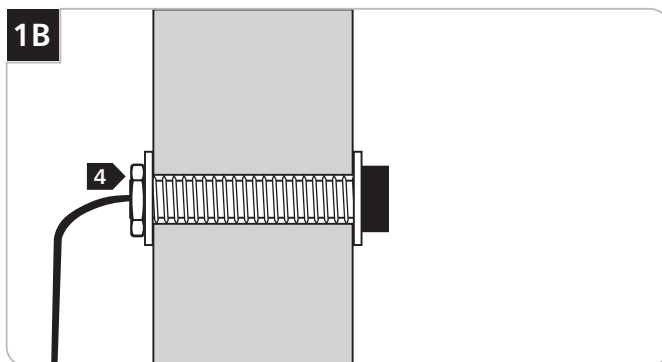
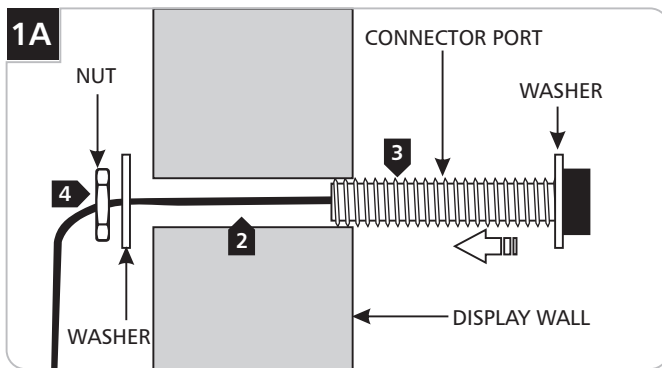
### GENERAL PRODUCT INFORMATION:



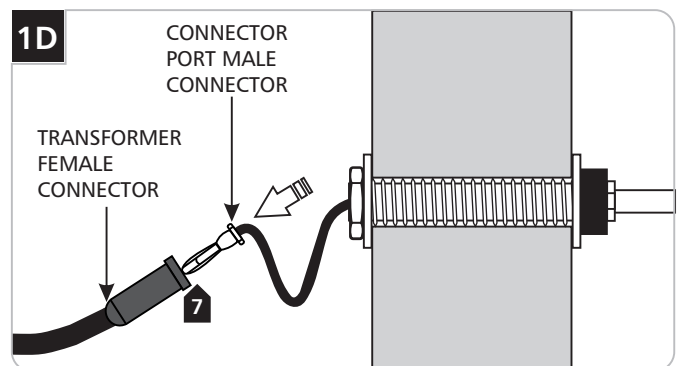
This product is suitable for indoor dry locations only.



## Display Wall Installation



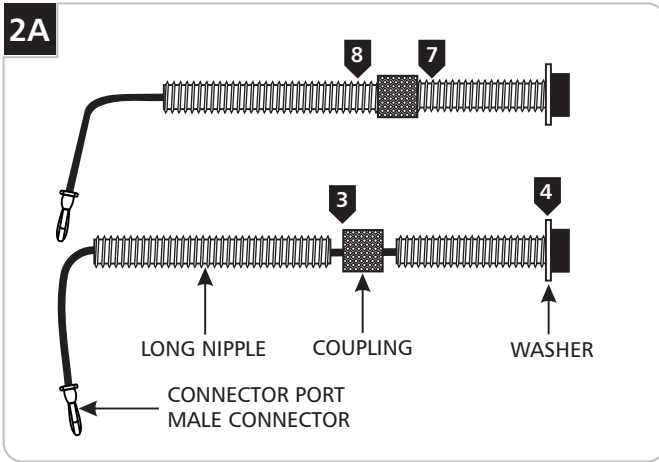
6 Push the two fixture male connectors all the way into the connector ports.



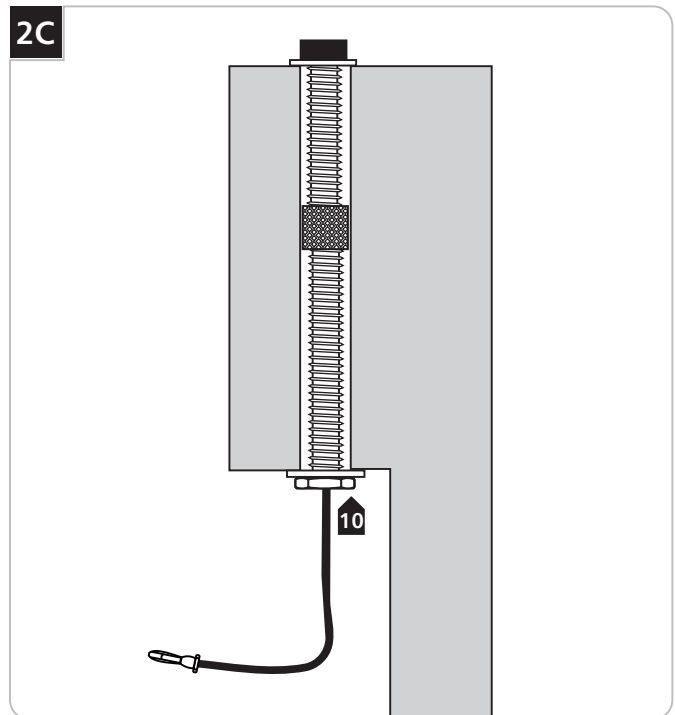
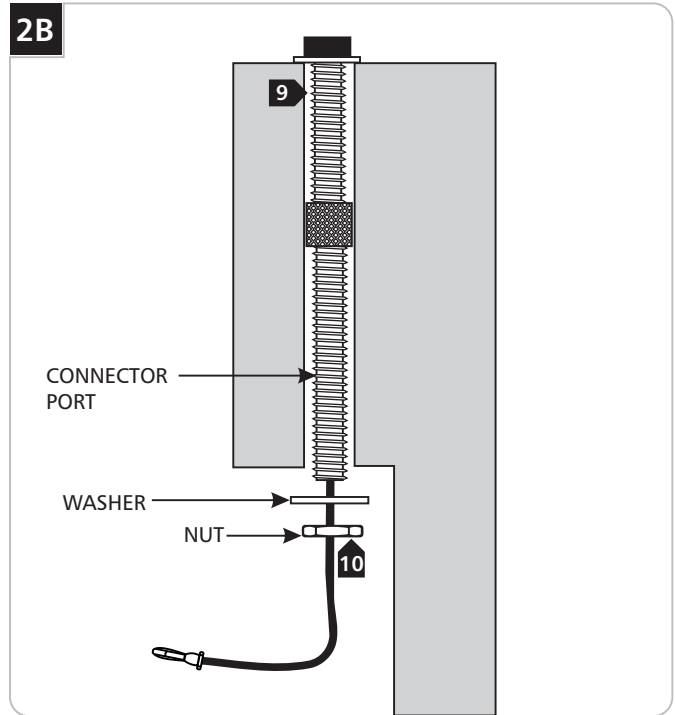
7 Connect the transformer female connectors to the connector port male connectors.

- 1 Mark two points on the display wall 0.85" (27/32") apart.
- 2 Drill the marked points through with a 7/16" bit.
- 3 Push the connector port through the washer and drilled hole.
- 4 Secure the connector port from the opposite side of the display wall with the washer and nut.
- 5 Repeat steps 3 and 4 for the other connector port.

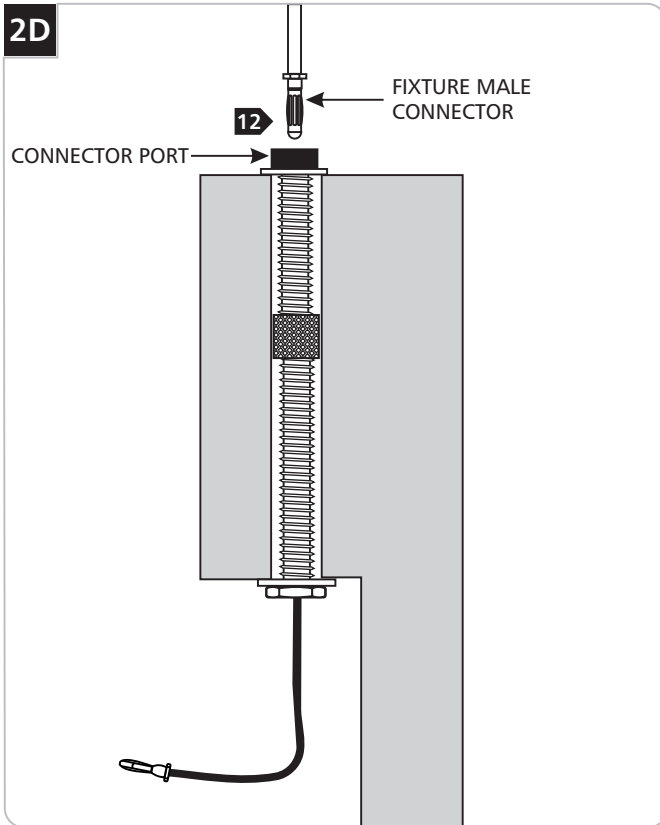
# Display Top Installation



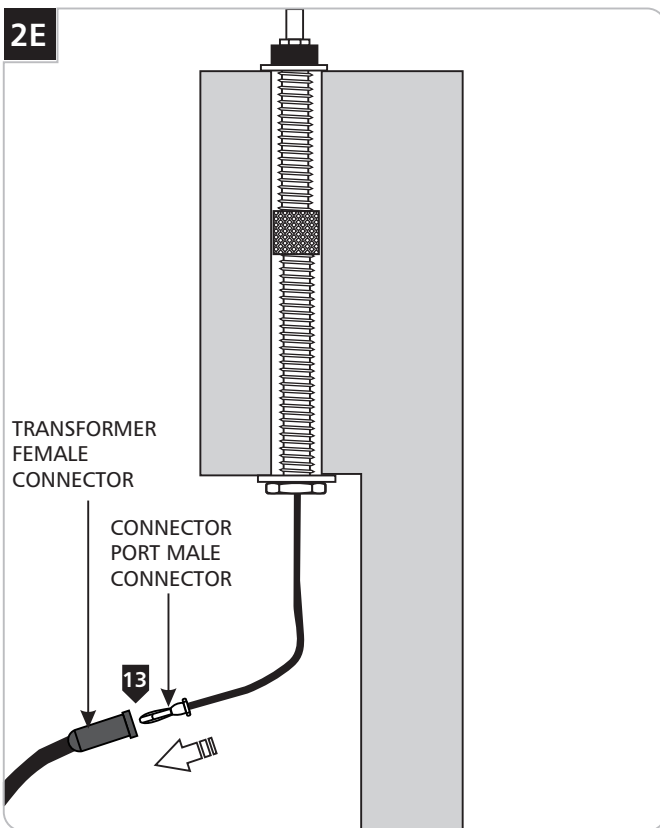
- 1 Mark two points on the display top 0.85" (27/32") apart.
- 2 Drill the marked points through with a 1/2" bit.
- 3 Extend the connector port nipple by using the coupling and the long nipple.
- 4 Push the connector port through the washer and drilled hole. Make sure to install the washer between the coupling and the connector port.
- 5 Repeat steps 3 and 4 for the other connector port.
- 6 Feed the connector port male connectors through the long nipple.
- 7 Screw the couplings halfway onto the connector port nipple.
- 8 Screw the long nipples into the couplings



- 9 Push the connector port through the drilled hole.
- 10 Secure the connector port with the washer and nut.
- 11 Repeat the steps 9 and 10 for the connector port.

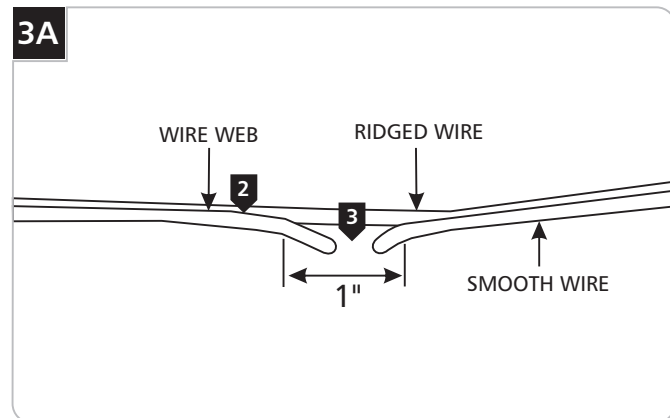


**12** Push the two fixture male connectors completely into the connector ports.

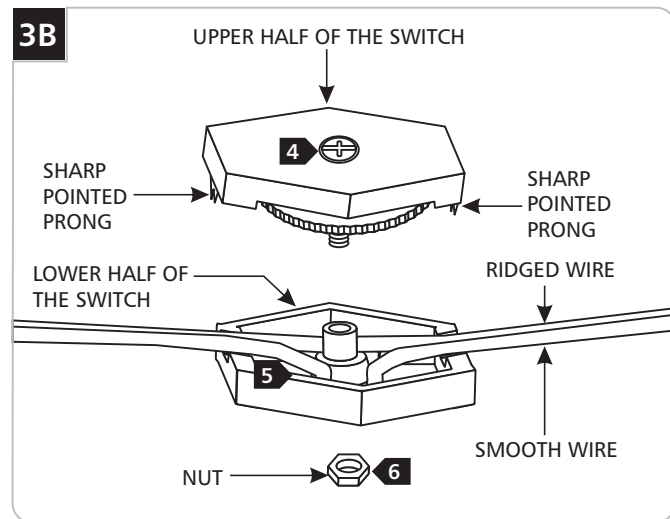


**13** Connect the transformer female connectors to the connector port male connectors.

## Install the Switch



- 1** Choose a place on the cord where the switch is to be mounted.
- 2** With a sharp knife cut about a 1" slot in the cord web. Make sure not to nick the insulation on either wire.
- 3** Cut the smooth wire in half.



- 4** Loosen the screw on upper half of the switch to remove the nut on the lower half.
- 5** Place the cord in the lower half of the switch (the half without the wheel). The cut wire runs through the center of the switch.
- 6** Press both halves back together. Replace the nut in the lower half and tighten the screw on upper half so that the sharp pointed prongs in upper half of the switch pierce the wire insulation and make contact inside.

**SAVE THESE INSTRUCTIONS!**



7400 Linder Ave, Skokie, IL 60077

847.410.4400

[www.techlighting.com](http://www.techlighting.com)

© 2008 Tech Lighting, L.L.C. All rights reserved. The "Tech Lighting" graphic is a registered trademark of Tech Lighting, L.L.C. Tech Lighting reserves the right to change specifications for product improvements without notification.

A Generation Brands Company