

Cirque Large (Compact Fluorescent)

700CQL_-CF

1.5



GENERAL PRODUCT INFORMATION:

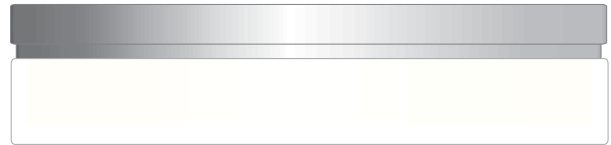


This product can mount to either a 4" square electrical box with round plaster ring or an octagon electrical box.

This product is suitable for damp or wet locations.

This fixture may be ceiling or wall mounted.

This instruction shows a typical installation.

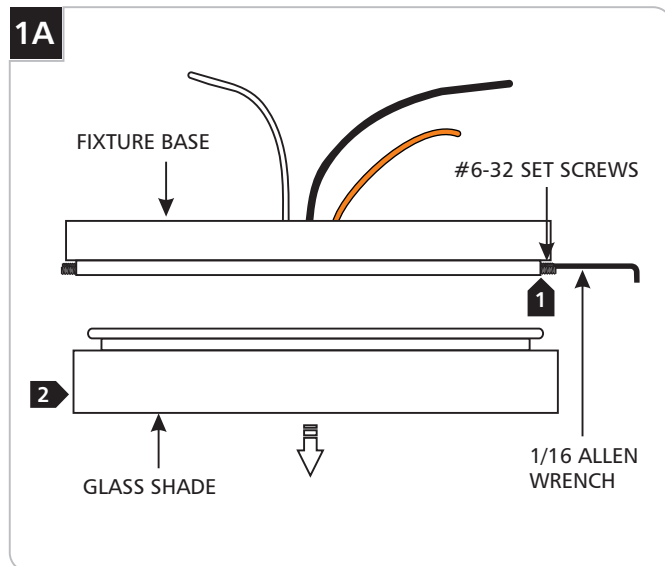


CAUTION - RISK OF FIRE

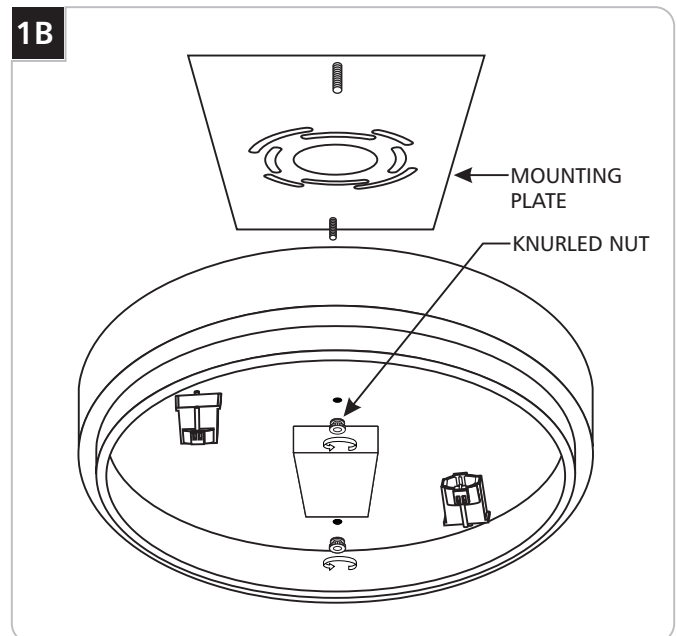
This product must be installed in accordance with the applicable installation code by a person familiar with the construction and operation of the product and the hazards involved.

Use minimum 90°C supply conductors.

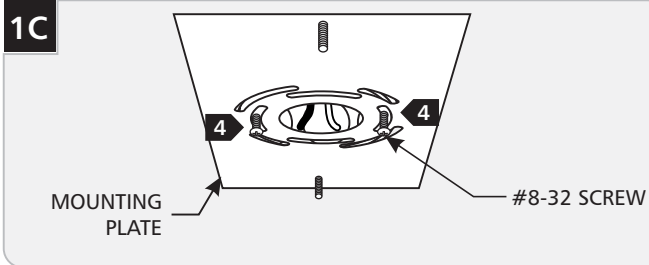
Install the Fixture



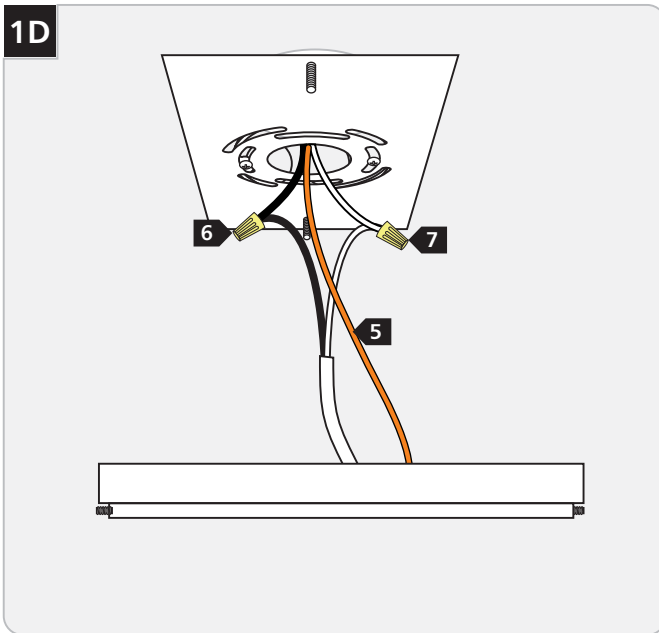
- 1 While supporting the glass shade, loosen (**Do Not Remove**) all the #6-32 set screws on the fixture base with the 1/16 Allen wrench.
- 2 Carefully remove the glass out of the fixture base.



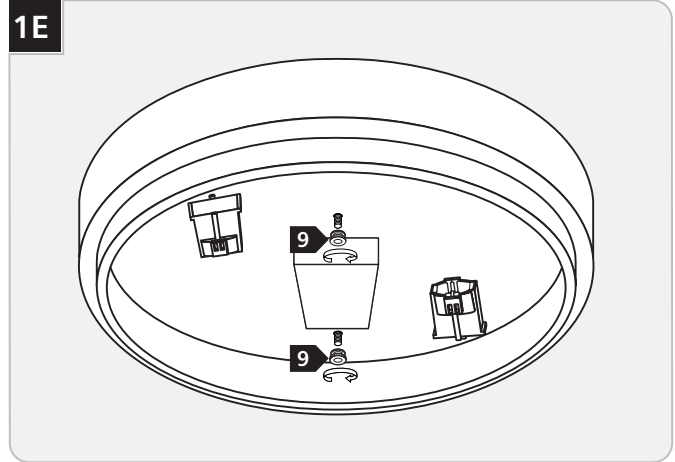
- 3 Remove the mounting plate from the assembly by unscrewing the two knurled nuts.



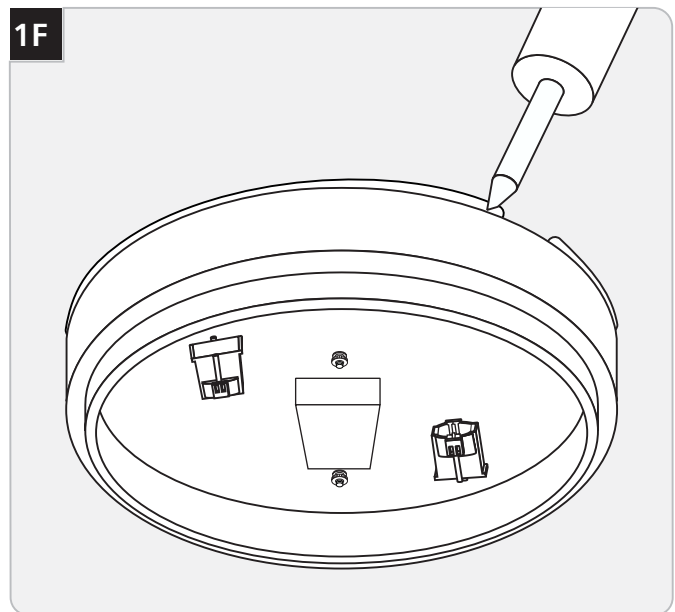
- 4 Secure the mounting plate to the electrical box with 2 #8-32 screws.



- 5 Ground the fixture in accordance with local electrical codes.
- 6 Connect the black fixture wire to the hot power line wire with a wire nut.
- 7 Connect the white fixture wire to the neutral power line wire with a wire nut.



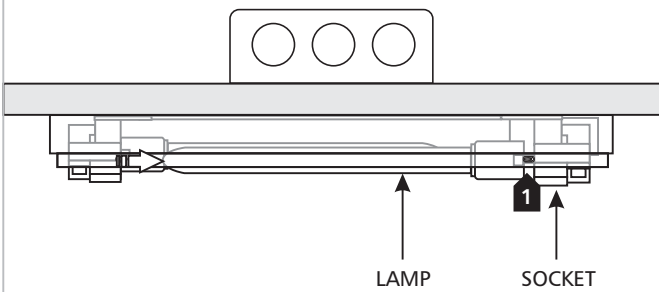
- 8 Place all wires and wire nut connections into the electrical box.
- 9 Mount the fixture base to the ceiling by reinstalling it onto the mounting plate and secure it tightly with the knurled nuts.



- 10 For wet location installation, caulk around the fixture base with waterproof construction sealant.


Install the Lamp and Shade

2A



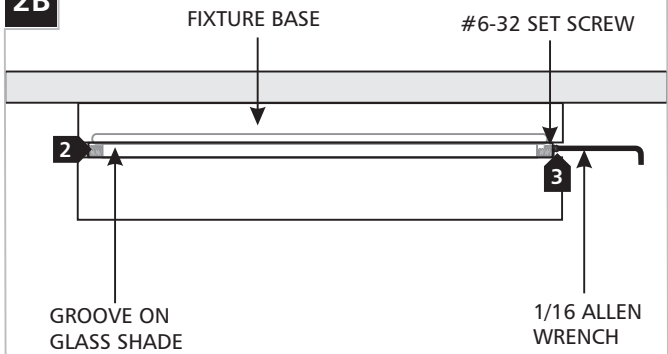
CAUTION: To reduce the risk of a burn or electric shock during relamping, disconnect the power to the fixture.

NOTE: Use only your fingers to install the lamps.

Max 13 Watt 2GX7 Base Twin Tube Compact Fluorescent Lamp for each socket. 

- 1 Push the lamp completely into the socket holes.

2B



- 2 Place the glass shade into the fixture base until the grooved section of the glass shade is completely inside.
- 3 Hold the glass shade in place and tighten all the #6-32 set screws with the 1/16 Allen wrench to lock the glass shade in place.

NOTE: To replace the lamps, reverse section 2.

SAVE THESE INSTRUCTIONS!



TECH LIGHTING®

7400 Linder Ave, Skokie, IL 60077

847.410.4400

www.techlighting.com

© 2015 Tech Lighting, L.L.C. All rights reserved. The "Tech Lighting" graphic is a registered trademark of Tech Lighting, L.L.C. Tech Lighting reserves the right to change specifications for product improvements without notification.

A Generation Brands Company