

# Span

**700BCSPAN** | 1.5



BATH



### GENERAL PRODUCT INFORMATION:

This fixture are intended to be installed utilizing NEC compliant junction boxes.

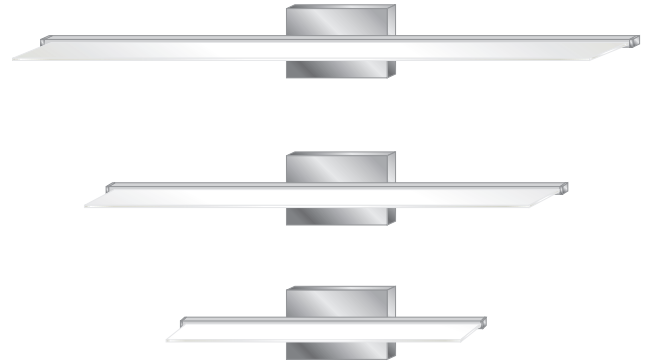
Suitable for damp locations.

This product may be dimmed with a low-voltage electronic dimmer, TRIAC dimmer, or a 0-10V dimmer depending on the wiring configuration.

This product may be mounted horizontally or vertically.

The driver for Span 24 must be installed into the electrical box.

## SAVE THESE INSTRUCTIONS!

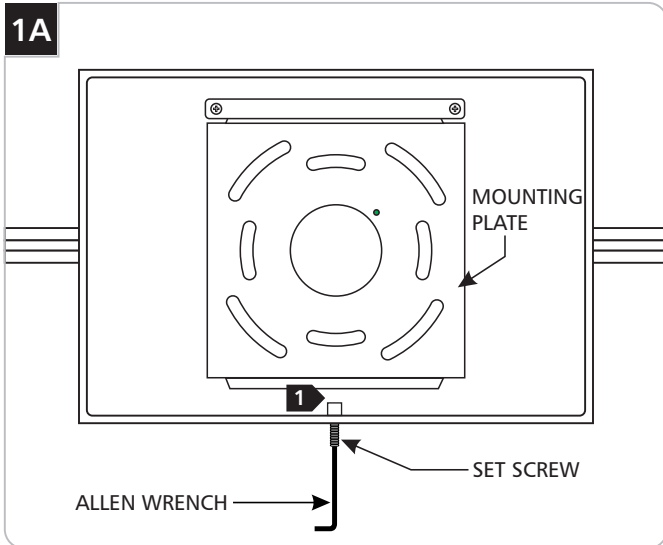


**CAUTION - RISK OF FIRE**  
This product must be installed in accordance with the applicable installation code by a person familiar with the construction and operation of the product and the hazards involved.  
**Use minimum 90°C supply conductors.**

**FOR DIRECT VERSIONS**  
**WARNING: DO NOT REMOVE THE WHITE ADHESIVE FILM** from the TOP AND SIDES of this fixture. Only **REMOVE THE TRANSPARENT PROTECTIVE FILM** which is located on the BOTTOM of the fixture.

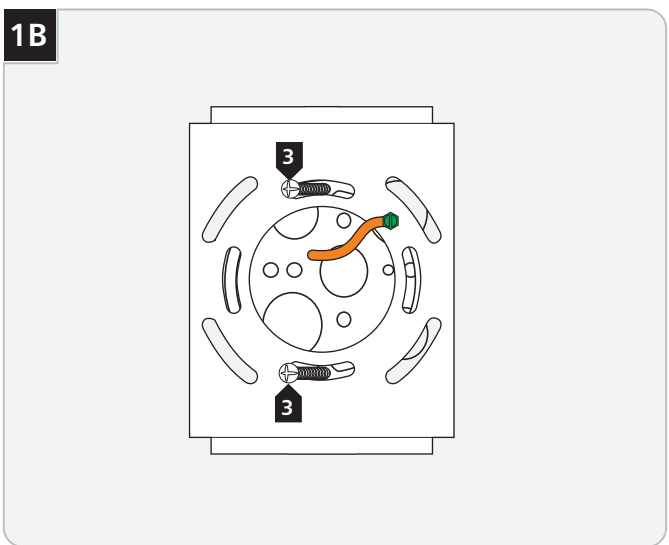
**FOR DIRECT/INDIRECT VERSIONS**  
**WARNING: DO NOT REMOVE THE WHITE ADHESIVE FILM** from the SIDES of this fixture. Only **REMOVE THE TRANSPARENT PROTECTIVE FILM** which is located on the TOP AND BOTTOM of the fixture.

## Install the Back Plate



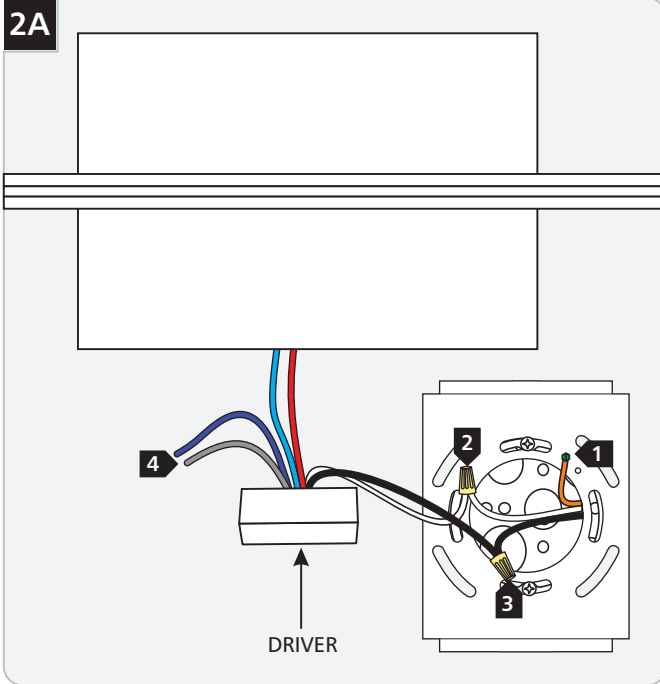
**1** With the Allen wrench provided, back out (do not fully remove) the set screw at the base of the fixture.

**2** Remove the mounting plate from the back of the fixture.



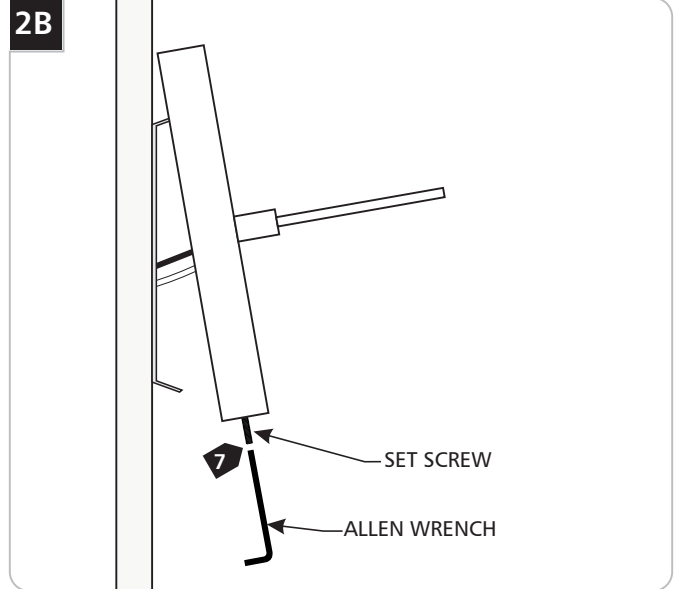
**3** Attach the mounting plate to the electrical box using the two provided #8-32 screws .

## Install the Fixture

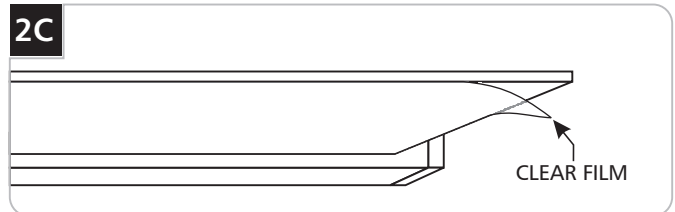


- 1 Connect the backplate wire to a suitable ground in accordance with local electrical codes.
- 2 Connect the white driver wire to the neutral power line.
- 3 Connect the black driver wire to the hot power line.
- 4 Use the gray and purple dimming wires for 0-10v dimming application.

**NOTE:** The purple and gray wires are only used for 0-10v dimming. For all other applications, do not connect the gray and purple wires.



- 5 Properly place the driver, all wires, and wire nut connections into the canopy. **Note: the driver for Span 24 must be installed into the electrical box.**
- 6 Hook the top of the fixture to the top of the mounting plate and swing the bottom of the fixture toward the plate until it is flush with the wall.
- 7 Tighten the set screw at the bottom of the fixture.



### FOR DIRECT VERSIONS

**WARNING: DO NOT REMOVE THE WHITE ADHESIVE FILM** from the **TOP AND SIDES** of this fixture. Only **REMOVE THE TRANSPARENT PROTECTIVE FILM** which is located on the **BOTTOM** of the fixture.

### FOR DIRECT/INDIRECT VERSIONS

**WARNING: DO NOT REMOVE THE WHITE ADHESIVE FILM** from the **SIDES** of this fixture. Only **REMOVE THE TRANSPARENT PROTECTIVE FILM** which is located on the **TOP AND BOTTOM** of the fixture.

- 8 Remove only the **CLEAR** protective film.

 **TECH LIGHTING**

7400 Linder Ave., Skokie, IL 60077  
T 847.410.4400 | F 847.410.4500  
www.techlighting.com