



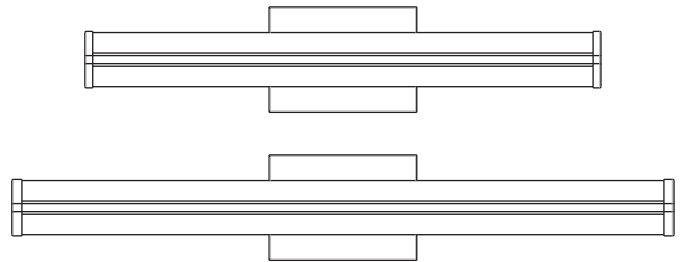
GENERAL PRODUCT INFORMATION:

These fixtures are intended to be installed utilizing NEC compliant junction boxes.

This product is suitable for damp locations.

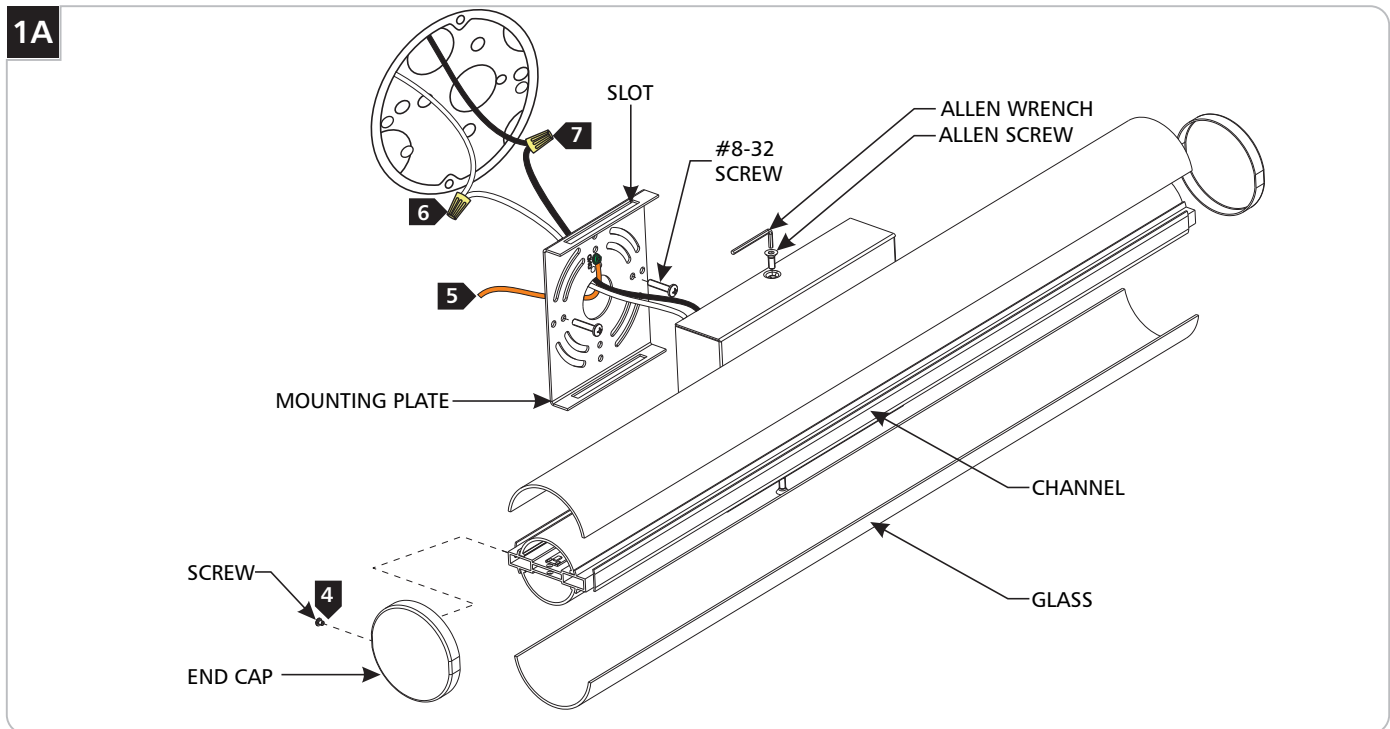
This product may be dimmed with a low-voltage electronic dimmer.

This instruction shows a typical installation.



CAUTION - RISK OF FIRE
 This product must be installed in accordance with the applicable installation code by a person familiar with the construction and operation of the product and the hazards involved.
 Use minimum 90°C supply conductors.

Install the Fixture



- 1 With the provided Allen wrench, remove the Allen screws on the top and bottom of the fixture base.
- 2 Remove the mounting plate from the back of the fixture.
- 3 Attach the mounting plate to the electrical box using the two provided #8-32 screws.
- 4 Install the glass (top and bottom) behind the channels on the fixture, then secure them in place by installing the end caps using the washers and screws. **Note:** If optional washer is included inside the end cap, be careful when installing/removing the end cap and ensure that it is properly installed.
- 5 Connect the fixture to a suitable ground in accordance with local electrical codes.
- 6 Connect the white driver wire to the neutral power line.
- 7 Connect the black driver wire to the hot power line.
- 8 Properly place the all wires and wire nut connections into the electrical box, then mount the fixture back onto the mounting plate and reinstall Allen screws (reversal of step 1A).
- 9 **Optional:** This fixture features a slotted mounting plate allowing the fixture to be slid left or right for easier positioning. To achieve this, loosen the Allen screws with the provided Allen wrench, slide the fixture base left or right until the desired position is reached, and re-tighten the Allen screws to secure in place.

SAVE THESE INSTRUCTIONS!



TECH LIGHTING®

7400 Linder Ave, Skokie, IL 60077
847.410.4400

www.techlighting.com

© 2018 Tech Lighting, L.L.C. All rights reserved. The "Tech Lighting" graphic is a registered trademark of Tech Lighting, L.L.C. Tech Lighting reserves the right to change specifications for product improvements without notification.

A Generation Brands Company