

Milan 24 Bath

700BCMLN24

1.0



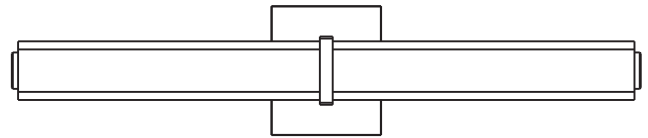
GENERAL PRODUCT INFORMATION:

These fixtures are intended to be installed utilizing NEC compliant junction boxes.

This product is suitable for damp locations.

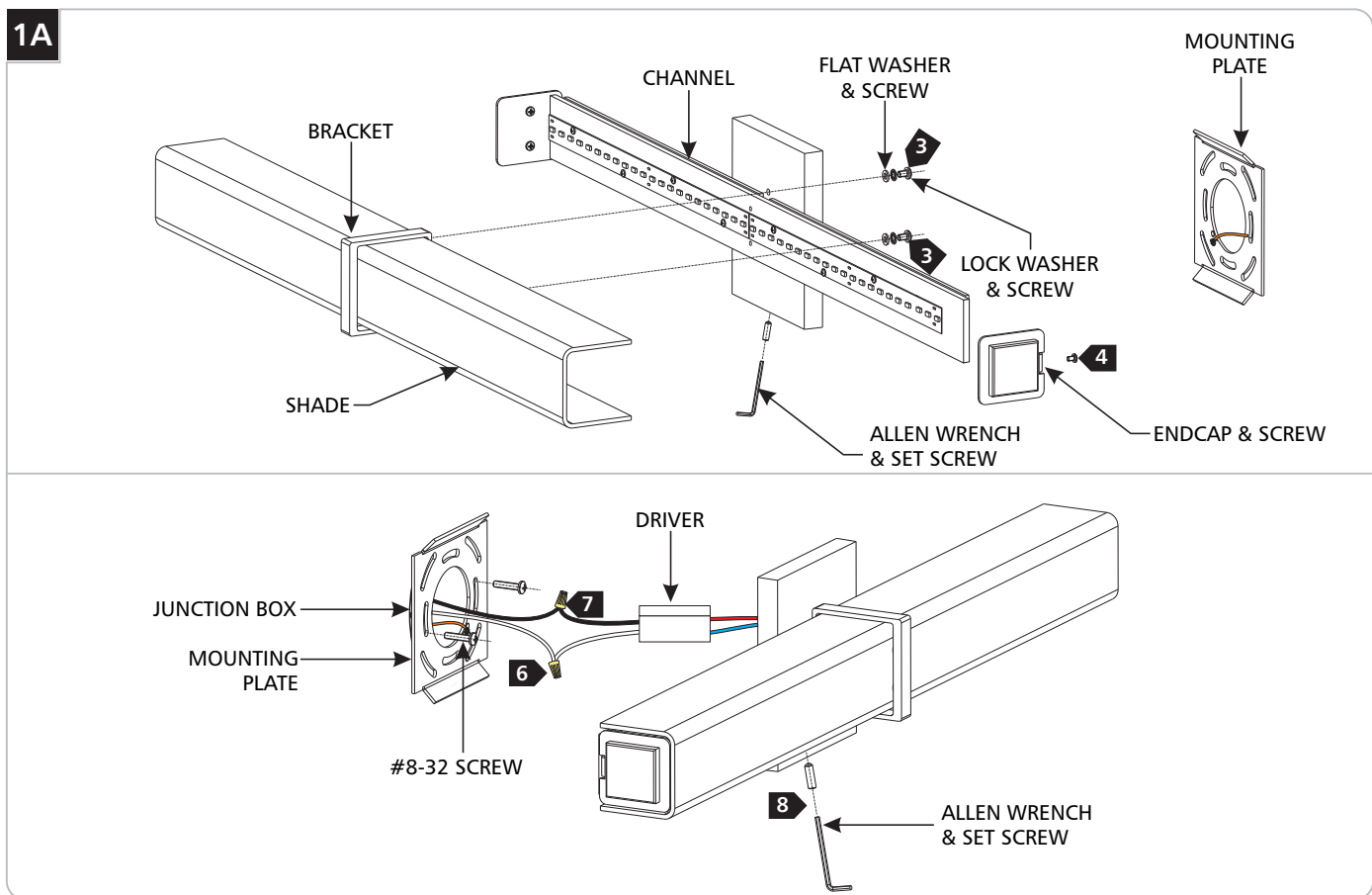
This product may be dimmed with a low-voltage electronic dimmer.

This instruction shows a typical installation.



CAUTION - RISK OF FIRE
 This product must be installed in accordance with the applicable installation code by a person familiar with the construction and operation of the product and the hazards involved.
 Use minimum 90°C supply conductors.

Install the Fixture



- 1 With the provided Allen wrench, remove the set screw on the bottom of the fixture base
- 2 Install the mounting plate to the junction box with the two #8-32 screws provided.
- 3 Slide the shade through the channel and secure to the fixture using the flat washers, lock washers, and screws as shown.
- 4 Install the endcap to the channel using the provided screw.
- 5 Connect the fixture to a suitable ground in accordance with local electrical codes.
- 6 Connect the white driver wire to the neutral power line.
- 7 Connect the black driver wire to the hot power line.
- 8 Properly place the driver, all wires, and wire nut connections into the junction box, then mount the fixture back onto the mounting plate and reinstall the set screw (reversal of step 1A).

SAVE THESE INSTRUCTIONS!



7400 Linder Ave, Skokie, IL 60077
847.410.4400

www.techlighting.com

© 2018 Tech Lighting, L.L.C. All rights reserved. The "Tech Lighting" graphic is a registered trademark of Tech Lighting, L.L.C. Tech Lighting reserves the right to change specifications for product improvements without notification.

A Generation Brands Company