

Metro (LED)

700BCMET_LED

1.2



GENERAL PRODUCT INFORMATION:



These fixtures are intended to be installed utilizing NEC compliant junction boxes.

This product is suitable for damp locations.

This product is dimmable with a low-voltage electronic dimmer.

This product can be mounted vertically or horizontally.

CAUTION: Do not use chemical cleaning products on LEDs. To clean, wipe gently with a clean, dry cloth.

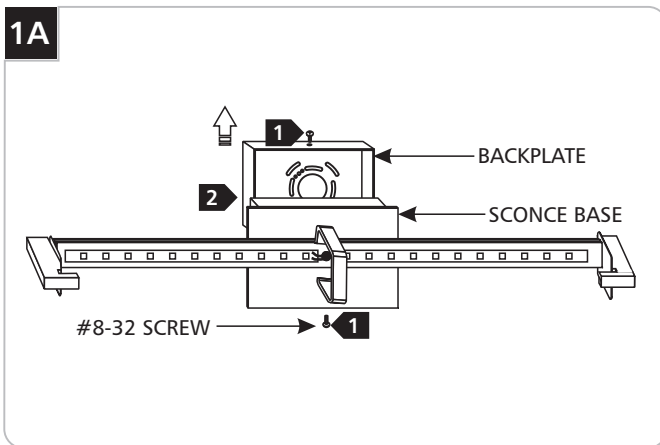


CAUTION - RISK OF FIRE

This product must be installed in accordance with the applicable installation code by a person familiar with the construction and operation of the product and the hazards involved.

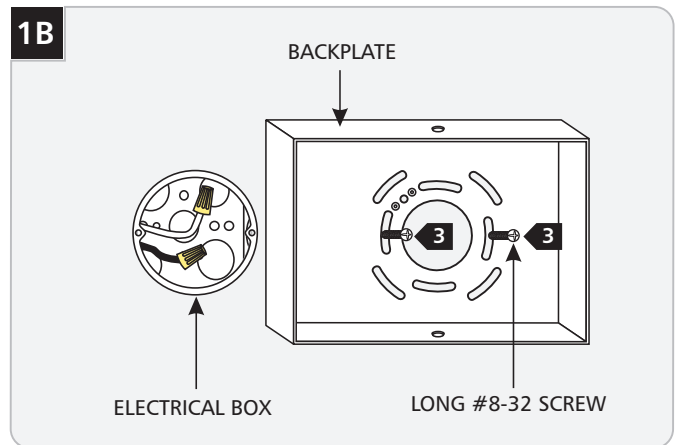
Use minimum 90°C supply conductors.

Install the Backplate



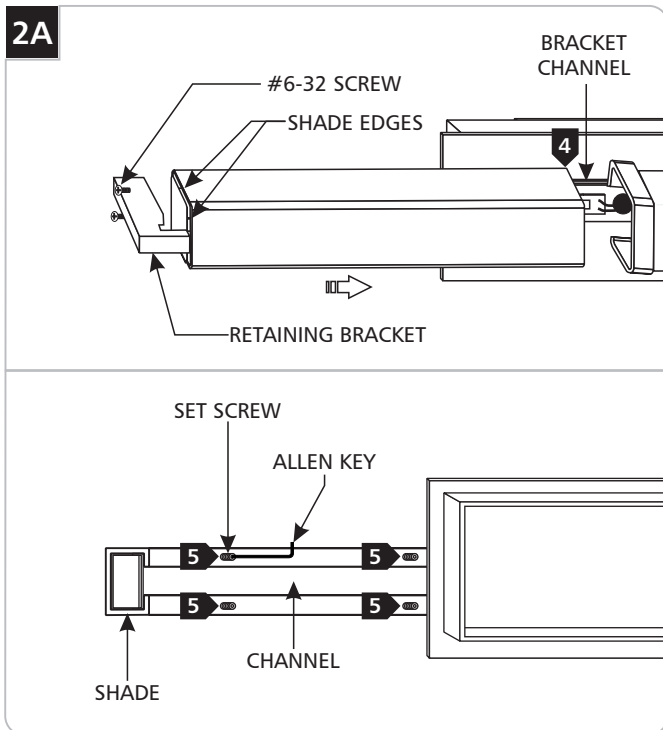
CAUTION: When handling the fixture, do not apply pressure to the LEDs. Hold the fixture by the sconce base only.

- 1 Remove the two #8-32 screws on the backplate with a Phillips head screwdriver.
- 2 Remove the backplate from the sconce base.



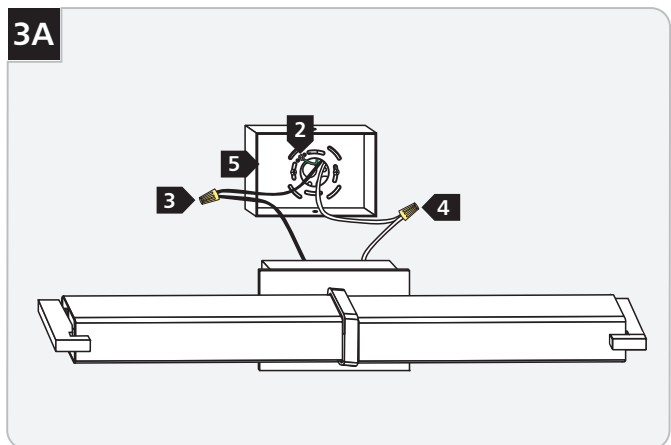
- 3 Mount the backplate to the electrical box with two long #8-32 screws.

Install the Shades

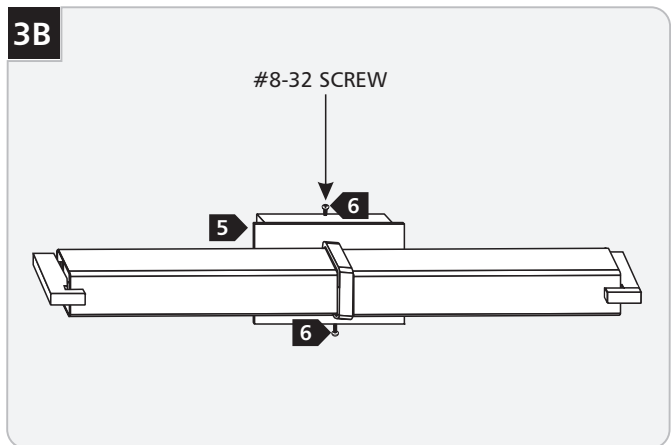


- 2 Remove the two #6-32 screws on side of the retaining bracket.
- 3 Remove the retaining bracket.
- 4 Carefully slide the shade edges into the bracket channels.
- 5 Secure the shades in place by installing the set screws in the back of the fixture using the provided Allen key.
- 6 Replace the retaining bracket and tighten the two #6-32 screws.

Connect the Power



- 1 Connect the backplate to a suitable ground according to local electrical codes.
- 2 Connect the black driver wire to the hot power line wire with a wire nut.
- 3 Connect the white driver wire to the neutral power line wire with a wire nut.
- 4 Properly place all wires into the backplate.



- 5 Place the sconce base onto the backplate and align the holes.
- 6 Replace and tighten the #8-32 screws.

SAVE THESE INSTRUCTIONS!



TECH LIGHTING®

7400 Linder Ave, Skokie, IL 60077
847.410.4400

www.techlighting.com

© 2018 Tech Lighting, L.L.C. All rights reserved. The "Tech Lighting" graphic is a registered trademark of Tech Lighting, L.L.C. Tech Lighting reserves the right to change specifications for product improvements without notification.

A Generation Brands Company