

**GENERAL PRODUCT INFORMATION:**

These fixtures are intended to be installed utilizing NEC compliant junction boxes.



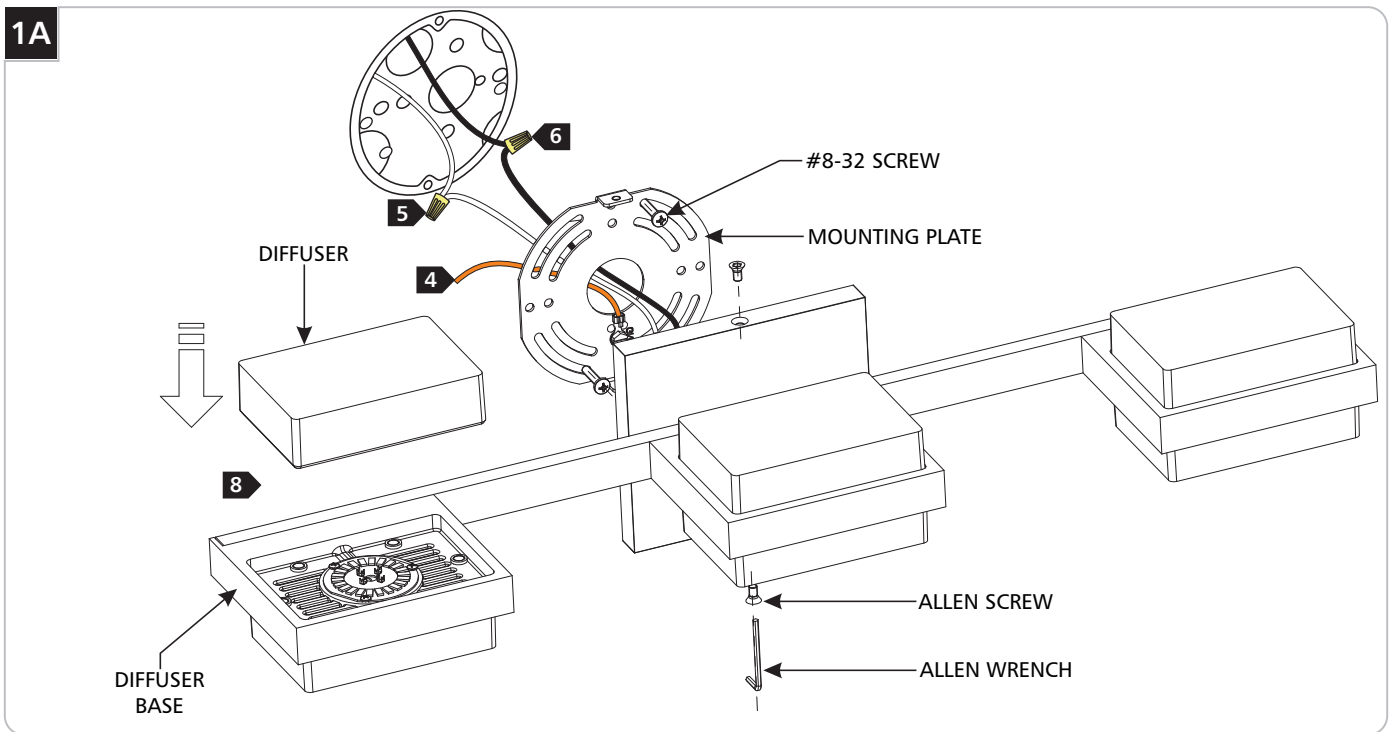
This product is suitable for damp locations.

This product may be dimmed with a low-voltage electronic dimmer.

This instruction shows a typical installation.

**CAUTION - RISK OF FIRE**  
This product must be installed in accordance with the applicable installation code by a person familiar with the construction and operation of the product and the hazards involved.  
Use minimum 90°C supply conductors.

**Install the Fixture**



- 1 With the provided Allen wrench, remove the Allen screws on both sides of the fixture base.
- 2 Remove the mounting plate from the back of the fixture.
- 3 Attach the mounting plate to the electrical box using the two provided #8-32 screws.
- 4 Connect the fixture to a suitable ground in accordance with local electrical codes.
- 5 Connect the white driver wire to the neutral power line.
- 6 Connect the black driver wire to the hot power line.
- 7 Properly place the all wires and wire nut connections into the electrical box, then mount the fixture back onto the mounting plate and reinstall Allen screws (reversal of step 1A).
- 8 If necessary, install the diffusers into the diffuser bases which are secured together by magnets.

**SAVE THESE INSTRUCTIONS!**



**TECH LIGHTING®**

7400 Linder Ave, Skokie, IL 60077  
847.410.4400

**[www.techlighting.com](http://www.techlighting.com)**

© 2018 Tech Lighting, L.L.C. All rights reserved. The "Tech Lighting" graphic is a registered trademark of Tech Lighting, L.L.C. Tech Lighting reserves the right to change specifications for product improvements without notification.

A Generation Brands Company